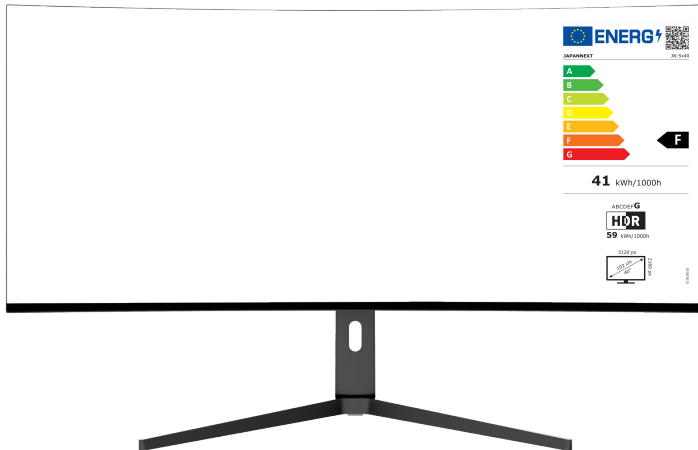


# JAPANNEXT



## 40-inch wide 5K2K 60Hz LED Curved LCD Monitor JN-5X40



EUROPE [www.japannext.eu](http://www.japannext.eu)  
JAPAN [www.japannext.net](http://www.japannext.net)

### ENG User Manual

Take a few minutes to read carefully this brief manual before switching your new JAPANNEXT monitor ON.  
Keep this manual in a safe place for future reference.

### FR Manuel de l'utilisateur

Ce manuel de l'utilisateur contient les informations nécessaires à l'utilisation de votre moniteur, prenez le temps de le lire, avant d'utiliser votre moniteur JAPANNEXT. Veuillez conserver ce manuel dans un endroit sûr pour toute référence ultérieure.



# TABLE OF CONTENTS / TABLE DES MATIERES

## ENGLISH

SAFETY PRECAUTIONS .....	5
ABOUT CLEANING AND PRECAUTIONS .....	6
WELCOME ! .....	6
QUICK START GUIDE .....	7
CONTENTS OF THE PACKAGE .....	8
CONNECTORS .....	8
EXPLANATION OF DISPLAY BUTTONS .....	9
OSD MENU .....	10
REMOTE .....	11
ABOUT HDR .....	12
FAQ .....	13
TECHNICAL SPECIFICATION .....	14
JAPANNEXT CUSTOMER SUPPORT .....	15

## FRANÇAIS

INSTRUCTIONS DE SÉCURITÉ .....	18
NETTOYAGE ET PRÉCAUTIONS .....	19
BIENVENUE ! .....	19
GUIDE DE DÉMARRAGE RAPIDE .....	20
CONTENU DE L'EMBALLAGE .....	21
CONNECTEURS .....	21
EXPLICATION DES BOUTONS D'AFFICHAGE .....	22
MENU OSD .....	23
TÉLÉCOMMANDE .....	24
À PROPOS DU HDR .....	25
FAQ .....	26
SPÉCIFICATIONS TECHNIQUES .....	27
ASSISTANCE CLIENTÈLE JAPANNEXT .....	28

**ENG** For quality improvement we reserve the right to change this manual content or product specifications without notice. JAPANNEXT Corp. owns trademarks of this manual.

**FR** Nous nous réservons le droit de modifier le contenu de ce manuel, ou les caractéristiques de nos produits sans préavis à des fins d'amélioration de la qualité. JAPANNEXT Corp. détient les droits d'auteur de ce manuel.

**ENGLISH**

# SAFETY PRECAUTIONS

Please be sure to read all the included instructions and manuals carefully before using.

## Warning

- Place the monitor on a stable, flat surface and avoid exposing it to high or low temperatures, humidity, or dust to prevent the risk of fire or electric shock.
- Do not use the monitor in a location where water or moisture is present, as this could result in serious injury or cause a fire.
- Do not attempt to open the cabinet of the monitor, as there are high voltage parts inside that could be dangerous or cause a fire.
- If the power supply unit becomes damaged, contact our service center or the retailer instead of attempting to inspect or repair it yourself.
- Before use, ensure that all cables are properly connected, and the power cord is not damaged. If any damage or issues are found, contact the retailer immediately.
- The narrow slots and openings on the top or back of the cabinet are necessary for ventilation. Do not block these holes. Also, be sure not to place the monitor near or on a heat source, such as a heater, without proper ventilation.
- Do not insert foreign objects or spill liquids into the openings of the monitor's cabinet, as this may cause damage or malfunctions.
- Use only the type of power supply indicated on the label of the product when operating the monitor. If you are unsure of the power supply type in your area, contact your local power company.
- Do not overload power strips or extension cords with excessive current. Overloading can result in electric shock and is extremely dangerous.
- To protect the monitor from damage caused by power surges, unplug the device's power cord during extended periods of non-use or during thunderstorms.
- For optimal performance, use this product with a PC that has a properly configured socket and falls within the AC100-240V range.
- If you experience any technical issues or have any questions about the monitor, please contact an authorized service technician or retailer.
- For safe operation, always connect the grounding wire before plugging the power cord into the outlet. And when removing the grounding wire, be sure to unplug the power cord first.
- This product is not designed for continuous use for 24 hours. Do not use the product continuously for 24 hours. When not in use for a long time, unplug the power plug.

## Note

- When cleaning the monitor, do not use cleaners or detergents containing alcohol or acetone. Be sure to use a liquid crystal monitor-specific cleaner. Do not directly spray liquid cleaners onto the screen. Please be careful as there is a risk of electric shock or fire if the cleaner liquid drips into the monitor interior. Do not rub the LCD panel with hard objects as it is easily damaged.
- When lifting or moving the monitor, be sure to turn off the power switch and unplug all cables and power cords in advance. When setting up the monitor, lift it correctly. When lifting or transporting the monitor, hold the edge of the main unit. Never lift the monitor with the stand or cable.

### **Please take care of your eyes when using**

- Using in a dark room or for long periods of time can strain your eyes.
- Take a 5-10 minute break every hour and use in a moderately lit room.

## **ABOUT CLEANING AND PRECAUTIONS**

- Before cleaning this product, turn off the power switch and unplug all cables and power cords.

### **Maintenance Method**

- LCD panel: Gently wipe with a clean, soft cloth specifically for LCD panels. Do not use tissue paper. For hard-to-remove dirt, use a soft cloth slightly dampened with a neutral cleaner specifically for LCD panels.
- Cabinet: Wipe with a soft cloth dampened with a neutral cleaner.

### **The following symptoms are normal for the monitor:**

- During initial use, there may be screen flickering due to the nature of the backlight. If this occurs, turn off the power and turn it back on again to confirm.
- Depending on the desktop pattern or displayed color and brightness, there may be uneven brightness.
- There may be a few pixels that are constantly lit or not lit.
- If the same image is displayed for a long time, there may be residual images even after switching to a different image. The screen will slowly recover, or turning off the power for a few hours can also fix this.
- Depending on your computer, the image may appear shifted. Adjust the screen position from the OSD (on-screen display) menu (for VGA port only).
- If the screen flashes, goes completely black, or stops working, do not attempt to repair it yourself. Contact the service center or retailer to request repairs.

## **WELCOME !**

Thank you very much for purchasing the JAPANNEXT 40-inch wide LCD monitor. The built-in panel supports a resolution of 5K2K (5120x2160).

We recommend using it at a 5K2K resolution to fully utilize its performance. When using a resolution lower than 5K2K, the monitor will not be able to deliver its full performance.

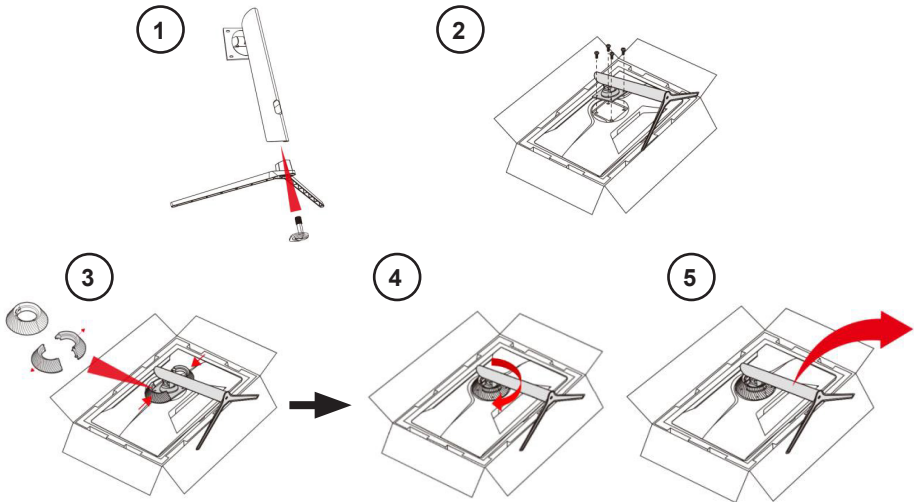
# QUICK START GUIDE

## Installation

### Note:

\* Handle the panel with care. Be careful when working not to press the LCD surface from above with your fingers or any other objects, as it may damage the panel.

1. Attach the stand base to the support column.
2. Attach the stand to the monitor body with the supplied screws.
3. Attach the red cover to the connection part and fix it by turning it clockwise.
4. Confirm that the stand is securely attached to the monitor body and slowly lift it up.



\* Please be careful not to pinch your fingers when adjusting the height.

\* Tilt adjustment is supported. When tilting the screen forward for use, please be careful not to let the body fall.

## Connecting to a Computer

1. Make sure that the power of the monitor and computer is turned OFF before connecting the cable.
2. Attach the cable (HDMI, DP, Type-C) that is compatible with the monitor to the monitor. Attach the same cable to the computer.
3. Turn ON the power of the monitor and computer.

**Warning:** To work safely, always connect the ground wire before plugging in the power plug (Only if there is a ground link). Also, when disconnecting the ground connection, always unplug the power plug from the outlet first.

**Note:** Do not connect multiple HDMI cables or USB memory sticks at the same time as this may cause malfunctions. Please connect only one cable to one computer.

## CONTENTS OF THE PACKAGE



Manual



Warranty



Power cable



Power adapter



DP cable



Type-C  
cable



USB B  
to A cable



Remote control



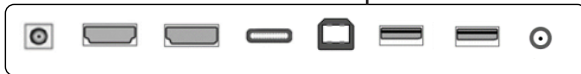
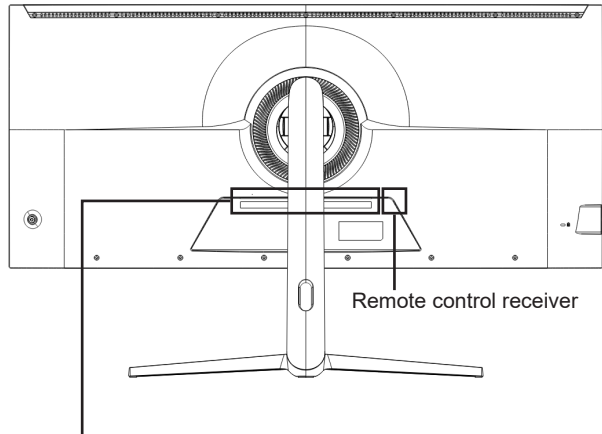
VESA  
spacer

\*The warranty certificate may be included with the manual.

\*The included power cable is for use only with this product. Do not use it with other devices.

## CONNECTORS

### Rear of the monitor



①

②

③

④

⑤

⑥

⑦

⑧

**1/ Power plug:** Please connect the power adapter to use.

**2/ HDMI port:** This is a HDMI 2.0 (5120x2160 @30Hz) compatible port.

**3/ DP port:** This is a DP 1.4 (5120x2160@60Hz) compatible port.

**4/ Type-C port:** This is a USB Type-C (5120x2160@60Hz) compatible port. It can be used for supplying power (65W) to external devices.

**5/ USB-B port:** By connecting to the PC with a USB-B to USB-A conversion cable, you can use the USB ports on the monitor's back panel to connect a mouse or keyboard even when using HDMI or DP connections.

**6/ USB2 port:** You can connect a mouse or keyboard when using Type-C exchange devices.

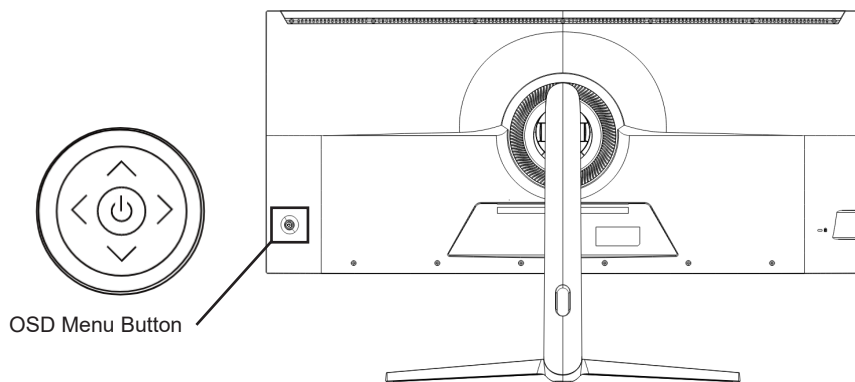
**7/ USB1 port:** You can connect a mouse or keyboard when using Type-C exchange devices.

**8/ Audio output port:** Please connect headphones or speakers for use.



# EXPLANATION OF DISPLAY BUTTONS

## Front panel of the monitor



## When the OSD Menu is not open

<	Press to open the input source selection screen.
>	Press to open the OSD Menu.
^	Press to display brightness settings.
v	Press for Game Cross.
⏻	Long press to power on/off.

## During OSD Menu display

<	Press to go back or close the menu.
>	Press to select and confirm menu items.
^	Press to move up the menu or increase the value of the selected item.
v	Press to move down the menu or decrease the value of the selected item.
⏻	Long press to power on/off.

# OSD MENU

MENU	FUNCTION	ADJUSTABLE VALUE	COMMENT	
INPUT SOURCE	Type-C		Input source selection	
	DP			
	HDMI			
BRIGHTNESS/ CONTRAST	Brightness	0-100	Brightness adjustment	
	Contrast	0-100	Contrast adjustment	
	Black Level	0-100	Black level adjustment	
	DCR	On/Off	DCR settings	
	Energy Save	On/Off	Energy settings	
COLOR SETTING	Gamma	1.8/2.0/2.2/2.4/2.6	Gamma adjustment	
	Picture Mode	Standard		Picture mode selection
		Photo		
		Movie		
		Game		
		FPS		
		RTS		
		Black and White		
	Color Temperature	Normal		Color temperature settings
		Warm		
		Cool		
		User		
	Hue	0-100	Hue adjustment	
Saturation	0-100	Saturation adjustment		
Low Blue Light	Off/1/2/3/4	Blue light filter settings		
Color Gammut	Native		Color range selection	
	sRGB			
	DCI-P3			
	Adobe RGB			
PICTURE QUALITY SETTING	Sharpness	0-100	Sharpness adjustment	
	Response Time	Off/High/Middle/Low	Response speed settings	
DISPLAY	Aspect Ratio	WideScreen/4:3/1:1/16:9/Auto	Image ratio selection	
	KVM	Auto/Type-C/PC	KVM settings	
AUDIO	Mute	On/Off	Mute settings	
	Volume	0-100	Volume adjustment	
	Audio Source	HDMI/Type-C/DP	Audio source selection	
MULTI-WINDOW	Multi-Window	Off/PBP 2Win	Multi-Window settings	
	Sub Win2 Input	Type-C/DP/HDMI	Window2 source selection	
	Swap		Swap between sub and main window	
OSD	Language	English/日本語/Francais/Other languages...	OSD Language selection	
	OSDH-Position	0-100	OSD horizontal position adjustment	
	OSDV-Position	0-100	OSD Vertical position adjustment	
	OSD Transparency	0-100	OSD transparency adjustment	
	OSD Time Out	5-100	OSD display time settings	
OTHER	DP Version	DP1.1/DP1.2/DP1.4	Select DP version	
	FreeSync(Adaptive Sync)	On/Off	FreeSync(Adaptive Sync) settings	
	HDR	Off/ON/Auto	HDR settings	
	DSC	Off/ON	Rear LED settings	
	Reset		Reset settings to factory defaults	

\* Please note that the design, specifications, and appearance of the product may be subject to change without prior notice for product improvement purposes.

\* In case the information provided differs from the actual product, the actual product shall take precedence.

## REMOTE



	Power on/off
SOURCE	Open source input selection screen
SCALE	Open aspect ratio selection screen
UP ▲	Display brightness settings
	Move menu up
DOWN ▼	Game Cross
	Move menu down
- ◀	Display volume settings / decrease value
+ ▶	Display volume settings / increase value
OK	Select and confirm menu item
F1	Open KVM selection screen
P	Open picture mode selection screen
F2	Open blue light reduction settings screen
MENU	Open screen (OSD) menu
EXIT	Return or close menu
MUTE	Turn mute on/off

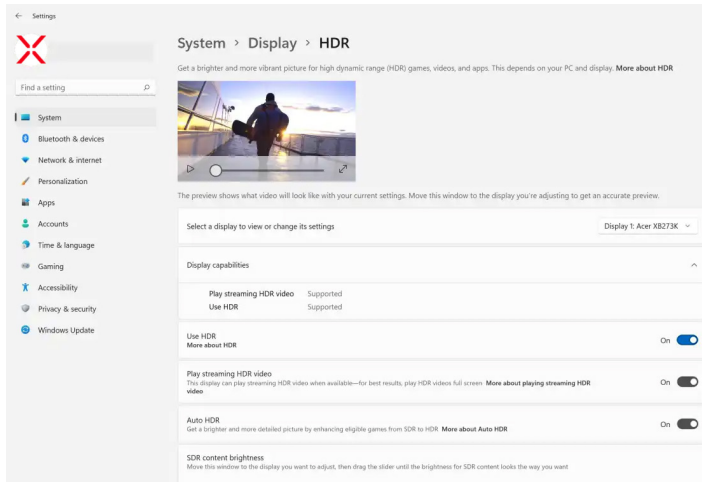
\*If the remote control is not responding well, please try pointing the transmitting part of the remote control towards the lower part of the monitor main unit. (Please check the position of the remote control receiver on the back of the 4P LCD display.)

# ABOUT HDR

HDR stands for High Dynamic Range, which is a display technology that can express a wider range of brightness than the conventional SDR (Standard Dynamic Range).

**By setting the HDR MODE in the screen (OSD) menu to AUTO**, if the player and content are compatible, the monitor will automatically enable the HDR function.

Depending on the Windows 10 settings, HDR may not be displayed properly. Please check the settings for HDR in Windows 10.



How to open the settings screen: [Settings] > [System] > [Display] > [HDR]

## HDR function is only available for HDR content

If you turn on the HDR setting in Windows 10, the desktop display may appear darker than when in Standard Dynamic Range (SDR) mode.

This is because the monitor's interpretation of HDR and SDR signals differs, and is not a malfunction.

**Please turn off the HDR function for normal PC use.**

Note: To enable the HDR function, the connected device and content must be HDR compatible.

Note: Even in Windows 10 Fall Creators Update (version 1709), the Windows HDR settings will not be displayed if the graphics card does not support HDR.

## FAQ

Symptoms	Checkpoints
<b>Power LED does not turn ON</b>	<ul style="list-style-type: none"> <li>• Have you turned on the power by pressing the power button on the monitor?</li> <li>• Check if the power cord is properly connected to the monitor and the power outlet.</li> </ul>
<b>Power LED is on, but there is no image</b>	<ul style="list-style-type: none"> <li>• Is a blank screen saver running? Move the mouse or keyboard.</li> <li>• Check that the brightness and contrast are not set to the minimum.</li> <li>• Confirm that the signal cable is properly connected to the monitor and the computer.</li> <li>• Check that the pins on the signal cable are not bent or that the cable is not damaged.</li> <li>• Is the computer turned on? If you have another monitor, try connecting it to see if the computer is working properly.</li> <li>• Is the computer's signal timing compatible with the monitor's specifications?</li> <li>• Some models may not be compatible with this product.</li> <li>• The cable may not be compatible. Please check with the cable manufacturer you are using.</li> </ul>
<b>The image is distorted or there are wave patterns in the video</b>	<ul style="list-style-type: none"> <li>• Confirm that the signal cable is properly connected to the monitor and the computer.</li> <li>• Move any electrical equipment that may be causing electrical interference away from the monitor.</li> <li>• Is the voltage normal? Avoid using extension cords.</li> <li>• Is the computer's signal timing compatible with the monitor's specifications?</li> </ul>
<b>The video position is shifted The video size does not match</b>	<ul style="list-style-type: none"> <li>• Is the computer resolution correct?</li> <li>• Is the computer's signal timing compatible with the monitor's specifications?</li> </ul>
<b>The screen is too bright / too dark</b>	<ul style="list-style-type: none"> <li>• Adjust the brightness and contrast settings from the screen (OSD) menu.</li> </ul>
<b>The video is blurry or unclear</b>	<ul style="list-style-type: none"> <li>• Set the display resolution on the PC to the native resolution of the monitor's recommended screen mode.</li> <li>• Is the computer's signal timing compatible with the monitor's specifications?</li> <li>• Check that the pins on the signal cable are not bent or that the cable is not damaged.</li> <li>The video color is strange</li> <li>• Check that the pins on the signal cable are not bent or that the cable is not damaged.</li> <li>• Adjust the red/blue/green color settings from the screen (OSD) menu (color temperature).</li> <li>• Reset the settings from the screen (OSD) menu.</li> <li>• Is the computer's signal timing compatible with the monitor's specifications?</li> </ul>
<b>Cannot display 5K2K</b>	<ul style="list-style-type: none"> <li>• This product supports a resolution of up to 5120 x 2160 (5K2K), including Type-C and DP. However, some graphics cards may not support 5120 x 2160. For hardware limitations on your computer, please contact your nearest dealer or manufacturer...</li> </ul>
<b>Abnormal noise</b>	<ul style="list-style-type: none"> <li>• Is the cable correctly connected?</li> </ul>

# TECHNICAL SPECIFICATION

LCD PANEL	Panel type	IPS
	Size	40"
	Backlight	E-LED
	Brightness (Typical)	300cd/m2
	Contrast	1000:1
	Refresh Rate	60Hz
	Dynamic Contrast Ratio (DCR)	YES
	Pixel Pitch (mm)	0.182mm
	Resolution (H×V)	5120 x 2160
	Aspect Ratio	21:9
	Response Time	5ms (OD)
	View Angles (CR>10)	H:178° V:178°
	Panel Surface	Matte
Display Colors	1.07B	
Functions	Freesync	YES
	Flicker Free	YES
	Blue light reduction mode	YES
	HDCP	YES 2.2
	HDR10	YES
	MPRT	NO
	PIP/PBP	YES
Interface and Max Resolution /Refresh Rate	DP1	1.4 5120x2160 @60Hz
	HDMI 1	2.0 5120x2160 @30Hz
	Type-C (USB-C)1	5120x2160 @60Hz 65W
	USB 1	YES (Keyboard/Mouse)
	USB 2	YES (Keyboard/Mouse)
	USB-B	YES
Audio	Earphones	YES
	Speakers (Typical)	5Wx2
Power	Power Consumption (W)	Max ≤ 96 / Standard ≤ 44 / Energy Saving ≤ 34W /Standby ≤ 0,5
Operating /Condition	Temperature ( )	0~50
	Humidity (%)	10 ~ 90
Physical	Dimensions without Stand included	948x420x111 (width x height x depth mm)
	Dimensions with Stand included	948x444/594x306 (width x height x depth mm)
	Packaging Dimension	1130x526x180 (width x height x depth mm)
	Weight Net (kg)	9.8
	Weight Gross (kg)	14.5
	Tilt Function	-5° +20°
	Height Adjustment	YES(150mm)
	Swivel	YES R30°/L30°
	Kensington	YES
	AC Power Range	AC 100-240V 50/60Hz/ To DC 24V 5A
	Power Light	On: blue, Standby: red
VESA Mount (mm)	100x100mm	
Accessories		DP Cable, Type-C Cable, USB B to A Cable Power Cable, Power Adapter, Manual, Warranty Card

\* The design, specifications, and appearance of the product may be subject to change without notice due to product improvement. Please understand this in advance.

\* If the information provided differs from the actual product, the actual product will take priority.

\* Power consumption is measured by our company.

## **JAPANNEXT CUSTOMER SUPPORT**

mail: [contact@japannext.com](mailto:contact@japannext.com)

JAPANNEXT EUROPE SAS

Rue Réaumur

75002 Paris





## FRANÇAIS

# INSTRUCTIONS DE SÉCURITÉ

Veillez vous assurer de lire attentivement toutes les instructions et les manuels inclus avant utilisation.

## Attention

- Placez le moniteur sur une surface stable et plate et évitez de l'exposer à des températures élevées ou basses, à l'humidité ou à la poussière pour éviter les risques d'incendie ou de choc électrique.
- Ne pas utiliser le moniteur dans un endroit où de l'eau ou de l'humidité est présente, car cela pourrait entraîner des blessures graves ou causer un incendie.
- Ne pas tenter d'ouvrir le boîtier du moniteur, car il y a des pièces à haute tension à l'intérieur qui pourraient être dangereuses ou causer un incendie.
- Si l'unité d'alimentation électrique est endommagée, contactez notre centre de service ou le détaillant au lieu de tenter de l'inspecter ou de la réparer vous-même.
- Avant utilisation, assurez-vous que tous les câbles sont correctement connectés et que le cordon d'alimentation n'est pas endommagé. Si des dommages ou des problèmes sont constatés, contactez immédiatement le détaillant.
- Les fentes et les ouvertures étroites sur le dessus ou à l'arrière du boîtier sont nécessaires pour la ventilation. Ne bloquez pas ces trous. Assurez-vous également de ne pas placer le moniteur près d'une source de chaleur, telle qu'un radiateur, sans une ventilation adéquate.
- Ne pas insérer d'objets étrangers ou verser de liquides dans les ouvertures du boîtier du moniteur, car cela peut causer des dommages ou des dysfonctionnements.
- Utilisez uniquement le type d'alimentation indiqué sur l'étiquette du produit lors de l'utilisation du moniteur. Si vous n'êtes pas sûr du type d'alimentation électrique dans votre région, contactez votre compagnie d'électricité locale.
- Ne surchargez pas les multiprises ou les rallonges avec un courant excessif. La surcharge peut entraîner un choc électrique et est extrêmement dangereuse.
- Pour protéger le moniteur contre les dommages causés par les surtensions électriques, débranchez le cordon d'alimentation de l'appareil pendant les périodes prolongées de non-utilisation ou pendant les orages.
- Pour une performance optimale, utilisez ce produit avec un ordinateur qui possède une prise correctement configurée et qui se situe dans la plage AC100-240V.
- Si vous rencontrez des problèmes techniques ou avez des questions sur le moniteur, veuillez contacter un technicien de service autorisé ou un détaillant.
- Pour un fonctionnement sûr, connectez toujours le fil de mise à la terre avant de brancher le cordon d'alimentation dans la prise. Et lorsque vous retirez le fil de mise à la terre, assurez-vous de débrancher d'abord le cordon d'alimentation.
- Ce produit n'est pas conçu pour une utilisation continue de 24 heures. Ne pas utiliser le produit en continu pendant 24 heures. Lorsqu'il n'est pas utilisé pendant une longue période, débranchez la fiche d'alimentation.
- Utilisez exclusivement le cordon d'alimentation fourni avec ce produit.

## Note

- Lors du nettoyage du moniteur, n'utilisez pas de nettoyants ou de détergents contenant de l'alcool ou de l'acétone. Assurez-vous d'utiliser un nettoyant spécifique pour les écrans LCD. Ne vaporisez pas directement de nettoyants liquides sur l'écran. Soyez prudent car il y a un risque de choc électrique ou d'incendie si le liquide de nettoyage s'écoule à l'intérieur du moniteur. Ne frottez pas le panneau LCD avec des objets durs car il est facilement endommageable.
- Lorsque vous soulevez ou déplacez le moniteur, assurez-vous de couper l'interrupteur d'alimentation et de débrancher tous les câbles et cordons d'alimentation au préalable. Lors de l'installation du moniteur, soulevez-le correctement. Lorsque vous soulevez ou transportez le moniteur, tenez le bord de l'unité principale. Ne soulevez jamais le moniteur avec le pied ou câble.

### **Veillez prendre soin de vos yeux lors de l'utilisation.**

- L'utilisation dans une pièce sombre ou pendant de longues périodes peut fatiguer vos yeux.
- Prenez une pause de 5 à 10 minutes toutes les heures et utilisez-le dans une pièce modérément éclairée.

## **NETTOYAGE ET PRÉCAUTIONS**

- Avant de nettoyer ce produit, éteignez l'interrupteur d'alimentation et débranchez tous les câbles et cordons d'alimentation..

### **Maintenance**

- Panneau LCD : essayez délicatement avec un chiffon doux et propre spécialement conçu pour les panneaux LCD. N'utilisez pas de papier de soie. Pour la saleté tenace, utilisez un chiffon doux légèrement humidifié avec un nettoyant neutre spécialement conçu pour les panneaux LCD.
- Cabinet ? Boîtier ? : essayez avec un chiffon doux humidifié avec un nettoyant neutre.

### **Les symptômes suivants sont normaux pour le moniteur :**

- Au cours de l'utilisation initiale, il peut y avoir des scintillements à l'écran en raison de la nature du rétroéclairage. Si cela se produit, éteignez l'alimentation et rallumez-la pour confirmer.
- En fonction du motif de bureau ou de la couleur et de la luminosité affichées, il peut y avoir une luminosité inégale.
- Il peut y avoir quelques pixels constamment allumés ou éteints.
- Si la même image est affichée pendant une longue période, il peut y avoir des images résiduelles même après avoir basculé vers une autre image. L'écran récupérera lentement ou la mise hors tension pendant quelques heures peut également résoudre le problème.
- En fonction de votre ordinateur, l'image peut apparaître décalée. Ajustez la position de l'écran à partir du menu OSD (affichage à l'écran) (pour le port VGA uniquement).
- Si l'écran clignote, devient complètement noir ou cesse de fonctionner, ne tentez pas de le réparer vous-même. Contactez le centre de service ou le détaillant pour demander des réparations.

## **BIENVENUE !**

Merci d'avoir acheté le moniteur LCD grand format de 40 pouces de JAPANNEXT. Le panneau intégré prend en charge une résolution de 5K2K (5120 x 2160).

Nous vous recommandons d'utiliser cette résolution pour profiter de ses performances optimales. À des résolutions inférieures à 5K2K, ses performances ne peuvent pas être pleinement exploitées.

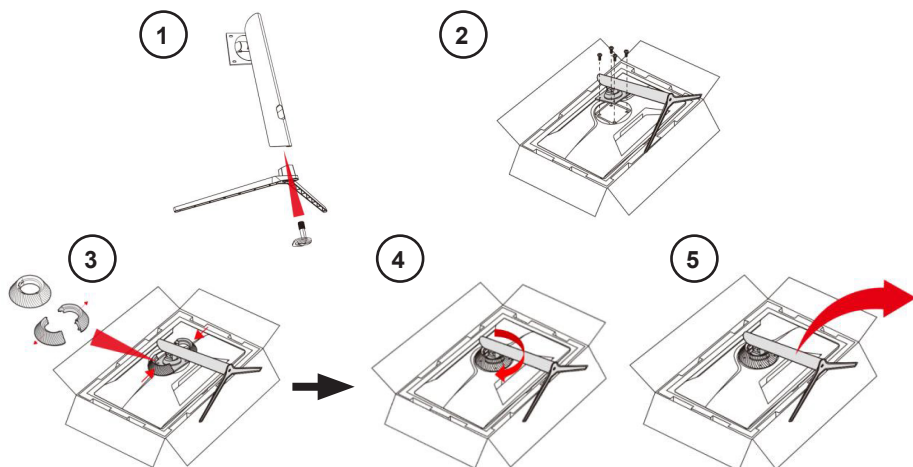
# GUIDE DE DÉMARRAGE RAPIDE

## Assemblage

### Attention :

\* Veuillez manipuler le panneau avec précaution. Si vous appuyez sur la surface LCD depuis le haut avec votre doigt ou autre, il y a un risque de dommage du panneau, veuillez donc travailler avec précaution.

1. Attachez la base de support au poteau.
2. Fixez le support sur le corps du moniteur avec les vis fournies.
3. Attachez le couvercle rouge à la partie de connexion et tournez-le dans le sens des aiguilles d'une montre pour le fixer en place.
4. Vérifiez que le support est bien fixé au corps du moniteur, puis levez-le lentement.



\* Notez que : lors de l'ajustement de la hauteur, veuillez faire attention à ne pas pincer votre doigt.

\* Notez également que : il est compatible avec l'ajustement de l'inclinaison. Lors de l'utilisation avec l'écran incliné vers l'avant, veuillez faire attention à ce que le corps ne tombe pas.

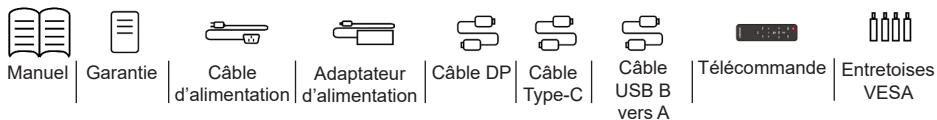
## Connexion à l'ordinateur

1. Vérifiez que l'alimentation du moniteur et de l'ordinateur est éteinte avant de connecter le câble.
2. Fixez le câble d'alimentation et les câbles compatibles (HDMI, DP, Type-C) au moniteur. Fixez également les câbles (HDMI, DP, Type-C) à l'ordinateur.
3. Allumez l'alimentation du moniteur et de l'ordinateur.

**Avvertissement :** Pour effectuer le travail en toute sécurité, veuillez connecter la terre avant de brancher la prise d'alimentation sur l'alimentation (uniquement si la prise de terre est installée). De plus, lorsque vous débranchez la prise de terre, veuillez retirer la prise d'alimentation de la prise murale.

**Notez que :** Il peut y avoir des dysfonctionnements si les câbles HDMI, DP, Type-C sont connectés simultanément. Veuillez les connecter un par un à un seul ordinateur.

# CONTENU DE L'EMBALLAGE

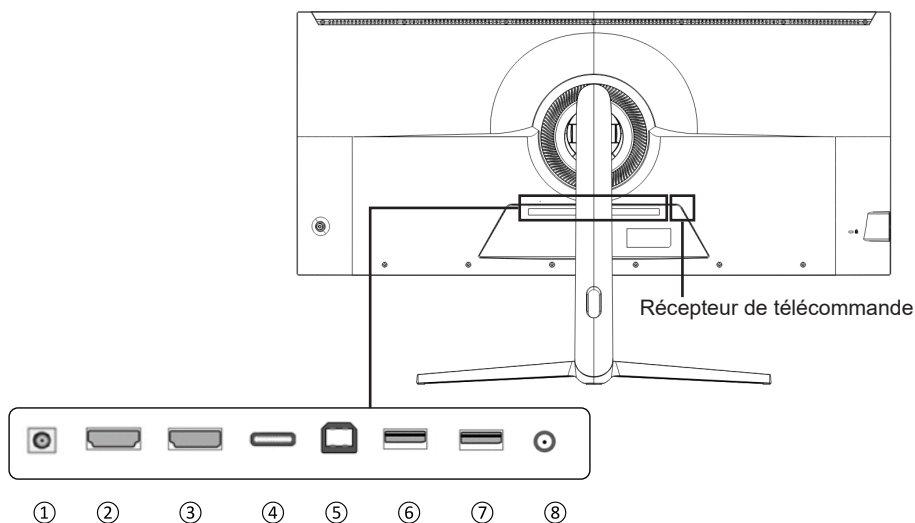


\*The warranty certificate may be included with the manual.

\*The included power cable is for use only with this product. Do not use it with other devices.

## CONNECTEURS

### Arrière du moniteur



**1/ Fiche d'alimentation:** veuillez connecter l'adaptateur d'alimentation pour utiliser l'appareil.

**2/ Port HDMI:** il s'agit d'un port compatible HDMI 2.0 (5120x2160 @ 30Hz).

**3/ Port DP:** il s'agit d'un port compatible DP 1.4 (5120x2160 @ 60Hz).

**4/ Port Type-C:** il s'agit d'un port compatible USB Type-C (5120x2160 @ 60Hz) pouvant être utilisé pour l'alimentation externe (65W).

**5/ Port USB-B:** vous pouvez connecter une souris ou un clavier à l'arrière du moniteur via un câble de conversion USB-B vers USB-A, même lorsque vous êtes connecté en HDMI ou en DP à votre ordinateur.

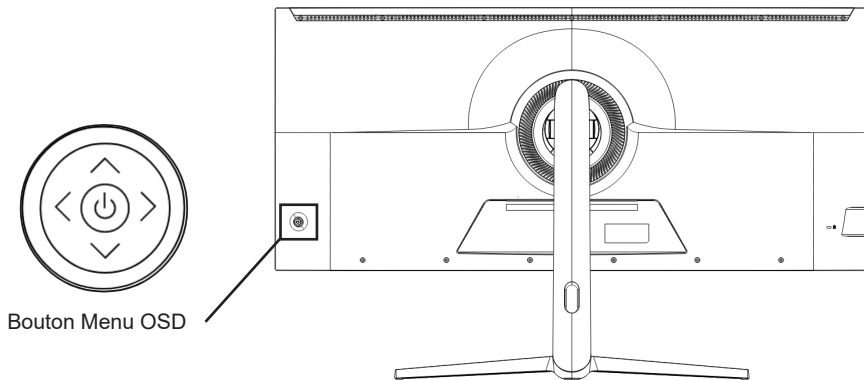
**6/ Port USB2:** vous pouvez connecter une souris ou un clavier lors de l'utilisation d'un périphérique de conversion de Type-C.

**7/ Port USB1:** vous pouvez connecter une souris ou un clavier lors de l'utilisation d'un périphérique de conversion de Type-C.

**8/ Port de sortie audio:** veuillez connecter des écouteurs ou des haut-parleurs pour utiliser le port de sortie audio.

# EXPLICATION DES BOUTONS D’AFFICHAGE

## Panneau avant du moniteur



### Lorsque le menu de l'écran (OSD) n'est pas ouvert

<	Ouvrir l'écran de sélection d'entrée source.
>	Ouvrir le menu OSD.
^	Afficher les réglages de luminosité.
v	Game Cross.
⏻	Marche/arrêt de l'alimentation (appuyez longuement).

### Opérations en cours d'affichage du menu de l'écran (OSD)

<	Pendant l'affichage du menu OSD.
>	Sélectionner ou confirmer un élément du menu.
^	Déplacer le menu vers le haut ou augmenter la valeur de l'élément sélectionné.
v	Déplacer le menu vers le bas ou diminuer la valeur de l'élément sélectionné.
⏻	Marche/arrêt de l'alimentation (appuyez longuement).

# MENU OSD


MENU	FUNCTION	ADJUSTABLE VALUE	COMMENT
ENTRÉE	Type-C		Sélection de la source
	DP		
	HDMI		
LUMINOSITÉ/ CONTRASTE	Luminosité	0-100	Ajustement de la luminosité
	Contraste	0-100	Ajustement du contraste
	Niveau de noir	0-100	Ajustement du niveau de noir
	DCR	On/Off	Paramètre DCR
	ECO	On/Off	Paramètre de consommation énergétique
COULEUR	Gamma	1.8/2.0/2.2/2.4/2.6	Ajustement du gamma
	Mode d'image	Standard	Sélection du mode de l'image
		Photo	
		Cinema	
		Jeu vidéo	
		FPS	
		RTS	
		Noir et Blanc	
	Température de l'image	Normale	Ajustement de la température de l'image
		Chaude	
		Froide	
		Utilisateur	
	Teinte	0-100	Ajustement de la teinte
	Saturation	0-100	Ajustement de la saturation
	Filter Lumière Bleue	Off/1/2/3/4	Filter la lumière bleue
Spectre des couleurs	Native	Sélection du profil/spectre des couleurs	
	sRGB		
	DCI-P3		
	Adobe RGB		
IMAGE	Netteté	0-100	Ajustement de la netteté de l'image
	Temps de réponse	Off/Lent/Moyen/Rapide	Ajustement du temps de réponse
AFFICHAGE	Ratio d'affichage	Ecran large/4:3/1:1/16:9/Auto	Sélection du ratio de l'image
	KVM	Auto/Type-C/PC	Paramètre KVM
AUDIO	Muet	On/Off	Activer ou désactiver le son
	Volume	0-100	Ajustement du volume
	Source Audio	HDMI/Type-C/DP	Sélection de la source audio
MULTI-FENÊTRE	Multi-Fenêtre(PIP/PBP)	Off/PBP 2Fenêtres	Paramètre de la multi-fenêtre
	Source Fenêtre2	Type-C/DP/HDMI	Sélection de la source de la fenêtre 2
	Inverser la position		Inverser entre la fenêtre principale et la fenêtre intérieure
	Langue	English/日本語/Français	Sélection du langage de l'OSD
OSD	OSD Position-H	0-100	Ajustement de la position horizontale de l'OSD
	OSD Position-V	0-100	Ajustement de la position verticale de l'OSD
	Transparence du menu OSD	0-100	OSD transparency adjustment
	Durée d'affichage OSD	5-100	Durée d'affichage de l'OSD
AUTRES	Version DP	DP1.1/DP1.2/DP1.4	version du DisplayPort
	FreeSync(Adaptive Sync)	On/Off	Paramètre du FreeSync(Adaptive Sync)
	HDR	Off/On/Auto	Paramètre du HDR
	DSC	Off/On	Activer ou désactiver les LED arrière
	Reinitialiser		Réinitialisation des paramètres en mode usine

\* Veuillez noter que le design, les spécifications et l'apparence du produit peuvent être modifiés sans préavis en raison d'améliorations de produit.

\* En cas de différence entre les informations décrites et le produit réel, la priorité sera accordée au produit réel.

# TÉLÉCOMMANDE



	Allumage / extinction.
SOURCE	Ouvre l'écran de sélection de l'entrée source.
SCALE	Ouvre l'écran de sélection de rapport d'aspect.
UP ▲	Affiche les réglages de luminosité. déplace le menu vers le haut.
DOWN ▼	Game Cross. Déplace le menu vers le bas.
- ◀	Affiche les réglages de volume / diminue la valeur.
+ ▶	Affiche les réglages de volume / augmente la valeur.
OK	Sélectionne et confirme l'élément du menu.
F1	Ouvre l'écran de sélection KVM.
P	Ouvre l'écran de sélection de mode image.
F2	Ouvre l'écran de configuration de réduction de la lumière bleue.
MENU	Ouvre le menu OSD (à l'écran).
EXIT	Retourne à l'écran précédent ou ferme le menu.
MUTE	Active ou désactive le mode muet.

\* Si la télécommande ne fonctionne pas correctement, essayez de la pointer vers la partie inférieure du moniteur (Vérifiez la position du récepteur de la télécommande sur l'arrière de l'écran LCD, repéré par "4P").

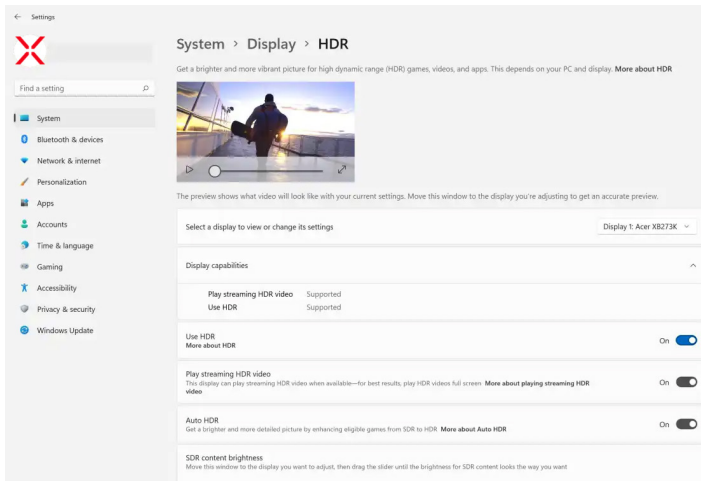


# À PROPOS DU HDR

HDR signifie High Dynamic Range (grande plage dynamique en français). C'est une technologie d'affichage qui permet de représenter une plage de luminosité plus large que la plage dynamique standard traditionnelle (SDR, Standard Dynamic Range).

**Si vous réglez le mode HDR de l'écran (OSD) sur AUTO**, et que le lecteur et le contenu sont compatibles, le moniteur activera automatiquement la fonction HDR.

Les paramètres de Windows 10 peuvent empêcher l'affichage correct de la fonctionnalité HDR. Veuillez vérifier les paramètres de Windows 10 concernant HDR pour les activer ou les désactiver.



Comment accéder aux paramètres : [Paramètres] > [Système] > [Affichage] > [HDR]

## La fonctionnalité HDR n'est active que pour les contenus HDR

Lorsque vous activez les paramètres HDR de Windows 10, l'affichage du bureau peut devenir plus sombre que lorsque vous le configurez en mode plage dynamique standard (SDR). Cela est dû à l'interprétation différente du signal HDR et du signal SDR par le moniteur, et non à une défaillance.

**Veuillez désactiver la fonctionnalité HDR pour une utilisation normale de votre PC.**

Note : Pour activer la fonction HDR, les appareils de connexion et les contenus doivent prendre en charge le HDR.

Note : Même avec la mise à jour des créateurs de Windows 10 (version 1709), si la carte graphique ne prend pas en charge le HDR, les paramètres HDR de Windows ne seront pas affichés.

## FAQ

Symptômes	Checkpoint
<b>Le voyant d'alimentation ne s'allume pas</b>	<ul style="list-style-type: none"> <li>• Avez-vous appuyé sur le bouton d'alimentation du moniteur et vérifié qu'il est allumé ?</li> <li>• Vérifiez que le cordon d'alimentation est correctement connecté à la fois au moniteur et à la prise électrique.</li> </ul>
<b>Le voyant d'alimentation est allumé, mais il n'y a pas d'image</b>	<ul style="list-style-type: none"> <li>• Le mode veille a-t-il été activé ? Bougez la souris ou le clavier pour vérifier.</li> <li>• Veuillez vérifier que la luminosité et le contraste ne sont pas réglés au minimum.</li> <li>• Veuillez vérifier que le câble de signal est correctement connecté au moniteur et à l'ordinateur.</li> <li>• Veuillez vérifier que les broches du câble de signal ne sont pas tordues et que le câble n'est pas endommagé.</li> <li>• L'ordinateur est-il allumé ? Si vous avez un autre moniteur, essayez de le connecter pour vérifier si l'ordinateur fonctionne correctement.</li> <li>• Le signal de synchronisation de l'ordinateur est-il compatible avec les spécifications du moniteur ?</li> </ul>
<b>L'image est déformée ou il y a des ondulations dans la vidéo</b>	<ul style="list-style-type: none"> <li>• Veuillez vérifier que le câble de signal est correctement connecté au moniteur et à l'ordinateur.</li> <li>• Éloignez tout appareil électrique qui pourrait causer des interférences électriques avec le moniteur.</li> <li>• Le courant électrique est-il normal ? → Veuillez arrêter les branchements en multiprise</li> <li>• Le signal de synchronisation de l'ordinateur est-il compatible avec les spécifications du moniteur ?</li> </ul>
<b>La position de l'image est décalée d'un côté / La taille de l'image est incorrecte</b>	<ul style="list-style-type: none"> <li>• La résolution de l'ordinateur est-elle correcte ?</li> <li>• Le signal de synchronisation de l'ordinateur est-il compatible avec les spécifications du moniteur ?</li> </ul>
<b>L'écran est trop lumineux / trop sombre</b>	<ul style="list-style-type: none"> <li>• Veuillez régler la luminosité et le contraste à partir du menu de l'écran (OSD).</li> </ul>
<b>La vidéo est floue ou peu claire</b>	<ul style="list-style-type: none"> <li>• Réglez la résolution d'affichage du PC sur le mode de résolution native recommandée pour le moniteur.</li> <li>• Le signal de synchronisation de l'ordinateur est-il compatible avec les spécifications du moniteur ?</li> <li>• Veuillez vérifier que les broches du câble de signal ne sont pas tordues et que le câble n'est pas endommagé.</li> </ul>
<b>La couleur de la vidéo est incorrecte</b>	<ul style="list-style-type: none"> <li>• Veuillez vérifier que les broches du câble de signal ne sont pas tordues et que le câble n'est pas endommagé.</li> <li>• Réglez les paramètres de couleur rouge/bleu/vert à partir du menu de l'écran (OSD) de réglage de la température de couleur.</li> <li>• Réinitialisez les paramètres à partir du menu de l'écran (OSD).</li> <li>• Le signal de synchronisation de l'ordinateur est-il compatible avec les spécifications du moniteur ?</li> </ul>
<b>Impossible d'afficher 5K2K</b>	<p>Ce produit prend en charge une résolution maximale de 5120 x 2160 (5K2K) via Type-C, DP, mais certaines cartes graphiques ne sont pas compatibles avec cette résolution. Veuillez vérifier les limitations matérielles de votre ordinateur auprès du revendeur ou du fabricant le plus proche.</p>
<b>Bruits sur l'image anormaux</b>	<ul style="list-style-type: none"> <li>• Le câble est-il correctement connecté ?</li> </ul>

# SPÉCIFICATIONS TECHNIQUES

Ecran	type de dalle	IPS
	Taille de la dalle	40"
	Eclairage arrière	E-LED
	Luminosité (Typique)	300cd/m2
	Contraste	1000:1
	Taux de rafraîchissement	60Hz
	Taux de contraste dynamique (DCR)	Oui
	Taille des pixel (mm)	0.182mm
	Resolution (HxV)	5120 x 2160
	Format de l'écran	21:9
	Temps de réponse	5ms (OD)
	Angle de vision (CR>10)	H:178° V:178°
	Type de Surface	Mat
Couleurs de l'écran	1,07 milliard de couleurs	
Fonctions	Freesync	Oui
	Anti scintillement	Oui
	Lumière bleue réduite	Oui
	HDCP	Oui 2.2
	HDR10	Oui
	MPRT	Non
	PIP/PBP	Oui
Interface et Résolution Maximale /Taux de rafraîchissement	DP1	1.4 5120x2160 @60Hz
	HDMI 1	2.0 5120x2160 @30Hz
	Type-C ( USB-C)1	5120x2160 @60Hz 65W
	USB 1	Oui (Clavier/Souris)
	USB 2	Oui (Clavier/Souris)
Son	USB-B	Oui
	Écouteurs	Oui
Alimentation	Haut-parleurs (typique)	5Wx2
	Consommation (W)	Max ≤ 96 / Normal ≤ 44 / Économie d'énergie ≤ 34W / Veille ≤ 0,5
Condition de fonctionnement	Température de fonctionnement ( )	0~50
	Humidité (%)	10 ~ 90
Caractéristiques physiques	Dimensions du produit sans pied	948x420x111 (largeur x hauteur x profondeur en mm)
	Dimensions du produit avec pied	948x444/594x306 (largeur x hauteur x profondeur en mm)
	Dimensions de l'emballage	1130x526x180 (largeur x hauteur x profondeur en mm)
	Poids net (kg)	9.8
	Poids brut (kg)	14.5
	Plage d'inclinaison	-5° +20°
	Réglable en hauteur	Oui (150mm)
	Angle de rotation	Oui R30°/L30°
	Kensington	Oui
	Plage de puissance AC	AC 100-240V 50/60Hz/ To DC 24V 5A
Accessoires	Témoin d'alimentation	Allumé : bleu / en veille : rouge
	Support VESA (mm)	100x100mm
		Câble DP, câble Type-C, câble USB B vers A Câble d'alimentation, adaptateur d'alimentation, manuel, carte de garantie

\* Veuillez noter que le design, les spécifications et l'apparence du produit peuvent être modifiés sans préavis pour des améliorations de produit.

\* En cas de différence entre les informations fournies et le produit réel, la priorité sera donnée au produit réel.

\* La consommation d'énergie est mesurée par notre société.

## **ASSISTANCE CLIENTÈLE JAPANNEXT**

mail: [contact@japannext.com](mailto:contact@japannext.com)

JAPANNEXT EUROPE SAS

Rue Réaumur

75002 Paris