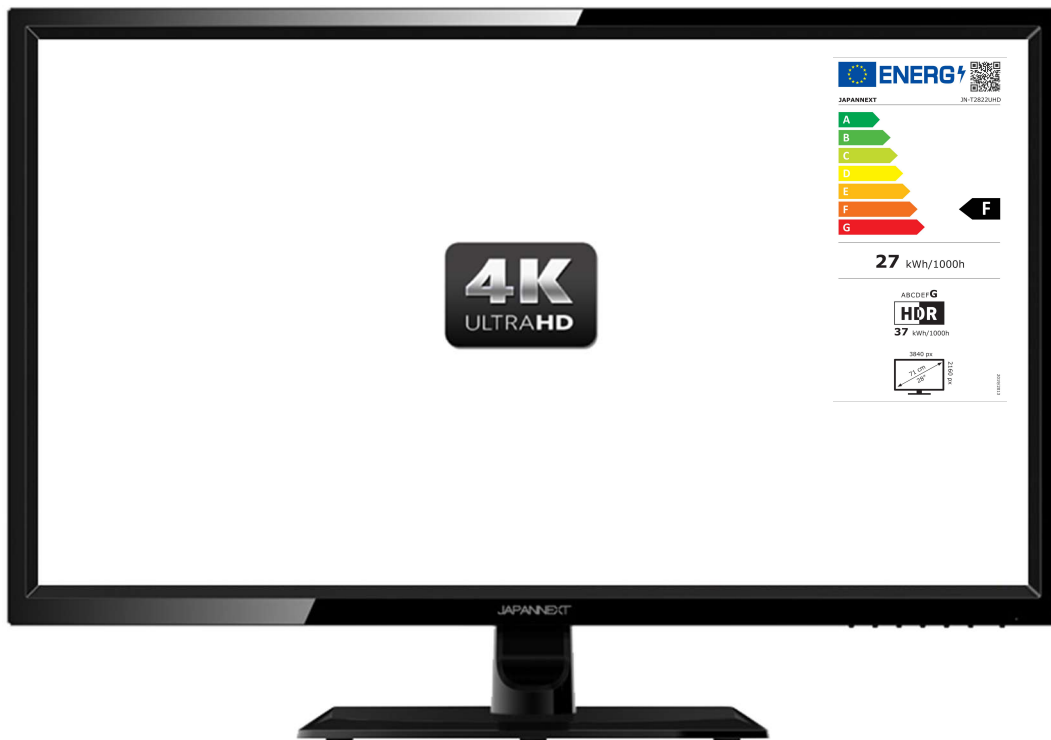




JN-T2822UHD 3840x2160 UHD (4K) 28" LED MONITOR



EUROPE www.jannnext.eu

JAPAN www.jannnext.net

ENG User Manual

Take a few minutes to read carefully this brief manual before switching your new JAPANNEXT monitor on.
Keep this manual in a safe place for future reference.

FR Manuel d'utilisation

Ce manuel de l'utilisateur contient les informations nécessaires à l'utilisation de votre moniteur, prenez le temps de le lire, avant d'utiliser votre moniteur JAPANNEXT. Veuillez conserver ce manuel dans un endroit sûr pour toute référence ultérieure.

TABLE OF CONTENTS / TABLE DES MATIERES

ENGLISH

- P3. WARNING / IMPORTANT SAFETY PRECAUTIONS
- P4. MAINTENANCE
- P5. NOTES ABOUT LCD PANELS
- P6. QUICK START GUIDE
- P7. CONTENTS OF THE PACKAGE / CONNECTORS
- P8. CONTROL BUTTONS
- P9. OSD MENU
- P11. FAQ & TROUBLE SHOOTING

FRENCH

- P12. ATTENTION / CONSIGNES DE SECURITE
- P13. MAINTENANCE
- P13. INFORMATION / RECOMMANDATION
- P15. GUIDE DE DEMARRAGE RAPIDE
- P16. CONTENU DE L'EMBALLAGE / CONNECTEURS
- P17. BOUTONS DE REGLAGES
- P18. MENUS DE RELAGE (OSD)
- P19. A PROPOS DE FREESYNC
- P20. DEPANNAGE / FAQ

INTERNATIONAL

- P21. TECHNICAL SPECIFICATION
- P22. DIMENSIONS
- P23. COMPLIANT TIMING

ENG For quality improvement we reserve the right to change this manual content or product specifications without notice. JAPANNEXT Corp. owns trademarks of this manual.

FR Nous nous réservons le droit de modifier le contenu de ce manuel, ou les caractéristiques de nos produits sans préavis à des fins d'amélioration de la qualité. JAPANNEXT Corp. détient les droits d'auteur de ce manuel.

WARNING

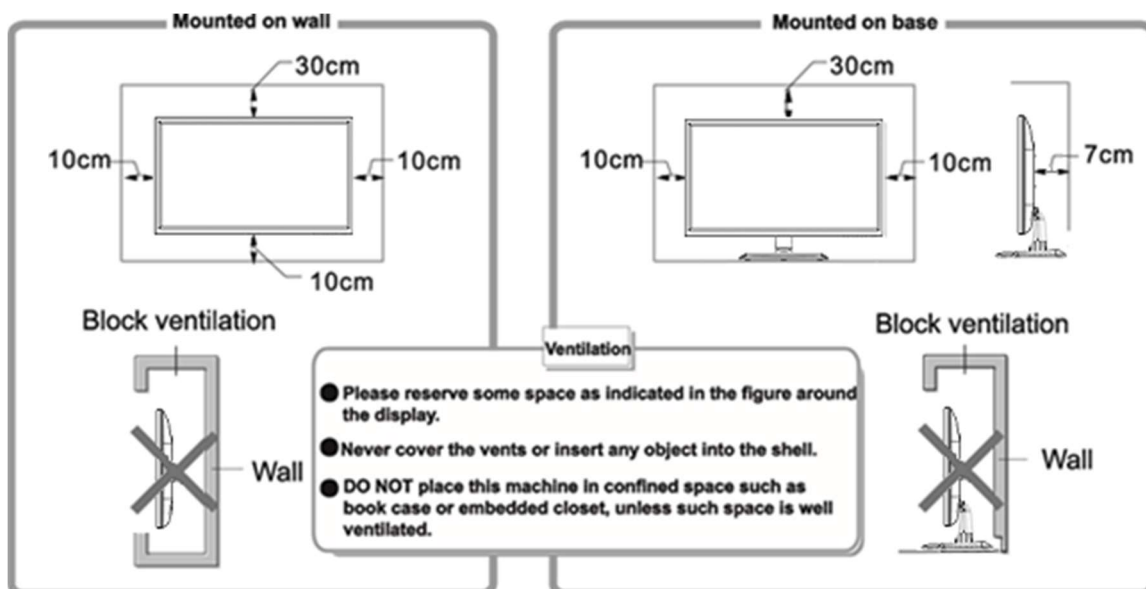
Take time to read this user's manual before using your monitor. This manual is intended for a safe and proper use of your monitor. It contains very important information regarding the operation of your new monitor. Further use can be dangerous for yourself and people surrounding the monitor.

The JAPANNEXT guarantee applies only if the monitor is handled properly for its original intended use, in accordance with its operating instructions. You should also present original invoice or cash receipt, indicating the date of purchase, the dealer's name and model number / serial number.

Attention – Important safety precautions

Read these manual instructions fully and follow them when setting up and using your monitor. Use of control buttons, or different procedures than these specified may result in exposure to electrical and mechanical hazards, electrical shocks and may damage your monitor and/or put yourself in danger.

- If any sign of spark, smoke, noise or vibrations, disconnect your monitor from power supply and contact JAPANNEXT CUSTOMER SERVICE. Continuing using the monitor is dangerous and may result in exposure to electrical and/or mechanical hazards, electrical shocks and damage your monitor or putting yourself in danger.
- DO NOT open your monitor. It contains high voltage components. Opening of monitor should be done by a service technician only. Opening monitor may cause electrical shocks and damage your monitor or putting yourself in danger.
- DO NOT introduce water or foreign substance in the monitor, keep a safe distance (at least 10cm) from other furniture or electrical device and ensure that ventilation holes aren't covered or obstructed. Keep out any object that could fall into ventilation holes or on the monitor.



- Do not subject the monitor to:
 - a heat source (ex. : a heater) , fire (ex. : a candle).
 - a water source, rain or humidity (+80%), dust or smoke.
 - to direct sunlight or any direct strong bright light source.
 - to high temperature variations
 - to a temperature less than - 5°c or higher than +40°c when using.
 - to a temperature less than - 5°c or higher than +50°c during storage.
 - to vibrations or impact.

This could cause electrical or mechanical shocks, and also cause damage to the monitor and surroundings and also possible bodily harm.

- Do not leave the monitor in a car or truck.
- Do not drop the monitor, or subject it to shock, or vibration, during transportation, installation and use.
- Do not install the monitor directly opposite to air-conditioner.
- Install the monitor on a stable and smooth surface, be careful not to topple / toggle / tumble it.
- For wall mounting, ask a professional to do it (In case Monitor as no VESA compatibility)).
Improper installation might result in accident.
- Do not touch the monitor or the power outlet and the cables and adapter with wet hands as it may cause electrical shock.
- Position the monitor in a place where the power plug and outlet are easily accessible.
- This monitor is not designed for a 24/7 use.
- Always use power cord provided with the monitor. If the power cord is missing or damage please contact JAPANNEXT customer service or a technician.
- Unplug the monitor if you are not going to use it for an extensive period of time.
- When positioning the monitor, make sure the power plug and outlet are easily accessible.

Maintenance

- To protect your monitor from any damage, do not put excessive pressure on the LCD panel. When moving the monitor, grasping the frame is better..
- If you need to clean the monitor unplug it first. Then with a slightly damp cloth, wipe it carefully and be careful not making it topples during the process. It can also be wiped with a dry cloth (using special cloth made for screen cleaning is better). However, never use organic solvent, ammonia-based liquids, gasoline or alcohol etc... to clean your monitor. Using specific product for monitor cleaning (can be buy in stores selling computer related goods) is safer.
- If you are not going to use the monitor for an extensive period of time unplug it.
- If the monitor gets wet, unplug it and then wipe it with dry cloth as soon as possible.
- To maintain the best performance of the monitor and use it for a longer time, use the monitor in a location that falls within the following humidity and temperature ranges:

Temperature: 0-40°C 32-105°F Humidity: 20-80% HR

NOTES ABOUT LCD PANELS

- Displaying still or static images over an extended period of time it may cause “afterimage” (also known as “burn in” or “ghost imaging”) on your screen. Make sure to activate a moving screen saver program when you leave your monitor unattended or to make it goes to stand-by mode (no image displayed). In case your monitor displays unchanging static content, please activate a periodic screen refresh application.

- “Afterimage”, “burn in”, “ghost imaging” is a well-known phenomenon in LCD panel technology. In most cases it will disappear after turning off the power for a few hours.

WARNING: Failure to activate such a screen refresh application / screen saver, may unfortunately result in severe “Afterimage”, “burn in”, “ghost imaging” symptoms that might not disappear and cannot be repaired. This kind of damage isn’t covered under our warranty

Recommendation

- For a better comfort in use and an optimum vision, do not use the monitor against backlight.
- For your health we recommend you not to use the monitor in a dark room. Also we recommend positioning the screen below eye level at a distance of about 40 to 60 cm. With prolonged use it is recommended to take a 10 minute break per hour of use.

Customer service / assistance / maintenance

- Please contact a technician or JAPANNEXT customer service if the monitor does not operate normally or if you are not sure (e) the procedure after reading the manual.

Disposal of product and his packing materials



Waste Electrical and Electronic Equipment / WEEE

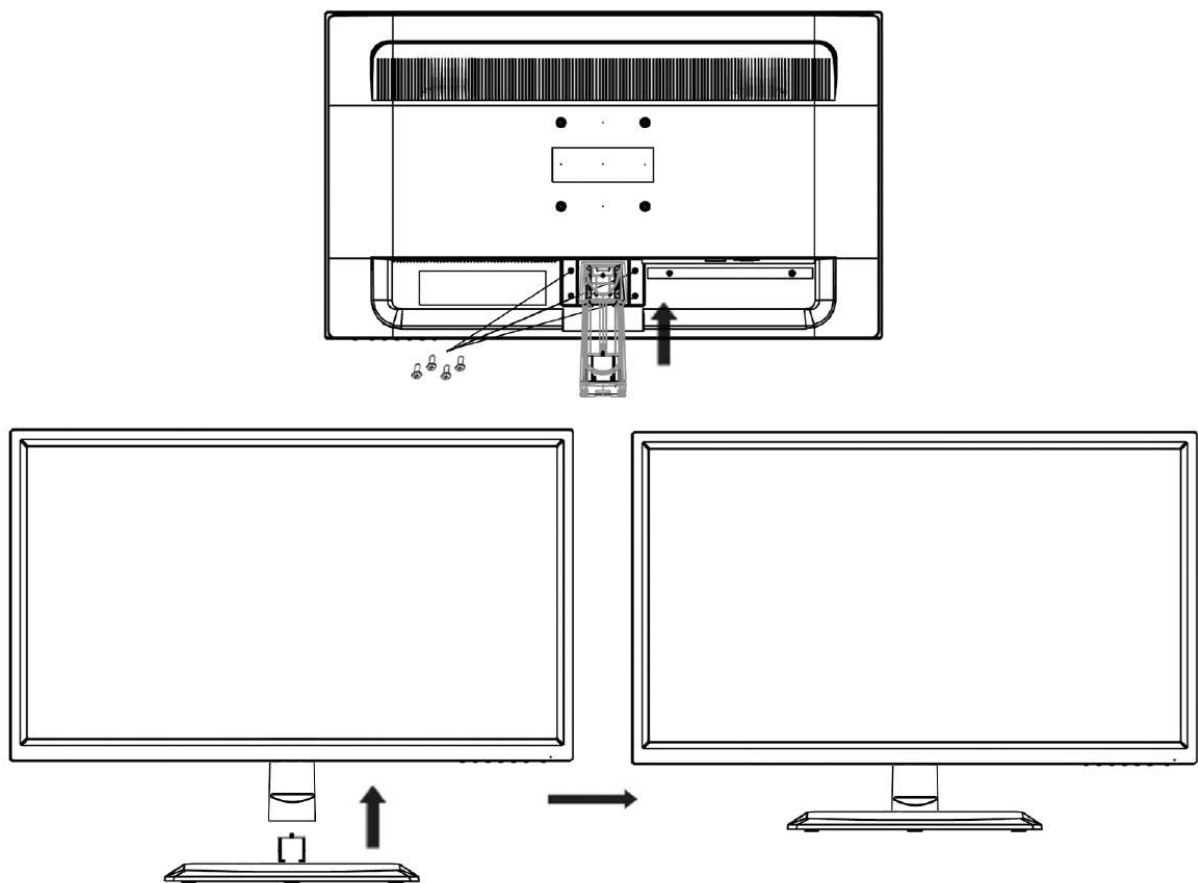
This mark on the product and/or on the packaging illustrates that, under European Directive 2012/19/EU governing used electronic and electrical appliances, this product may not be disposed of with other normal household waste. The buyer/user is responsible for the disposal of this electronic equipment through a designated waste electrical and electronic equipment collection organization. In order to determine the locations for dropping off, please contact your local government or the waste disposal organization that serves your area. Your JAPANNEXT monitor contains many materials and parts that can be recycled and reused (LCD panel, Metallic and plastic parts and much more!). Specialized companies can recycle your monitor and minimize the amount to be disposed of.

QUICK START GUIDE

Put the monitor face down on a stable and smooth surface, pay attention not to damage or scratch the front glass / screen. It's better putting a soft piece of cloth on the table beforehand to protect the monitor. Make sure the monitor is unplugged before starting installation.

SETTING UP THE MONITOR

1. Put the monitor face down on a stable and smooth surface.
2. Position the neck on the back of the monitor, placing it as shown in the picture below and use the 4 screws provided to fix it. Screw without force.
3. Clip the stand, rounded side on the screen side, on the underside of the neck.
4. Make sure the stand and base are firmly attached.



5. Make sure both monitor and computer are unplugged.
6. Plug power cord and signal cable (HDMI or VGA or DP etc..) to the monitor.
7. Plug the computer and monitor power cord to the power supply.
8. Turn on the monitor and computer.

NOTE / CAUTION

After turning on computer and monitor if no image is displaying make sure you have chosen the right signal cable. Please make sure to earth the power cord.

CONTENTS OF THE PACKAGE



Manual



DC Adaptor



Power cord



HDMI cable

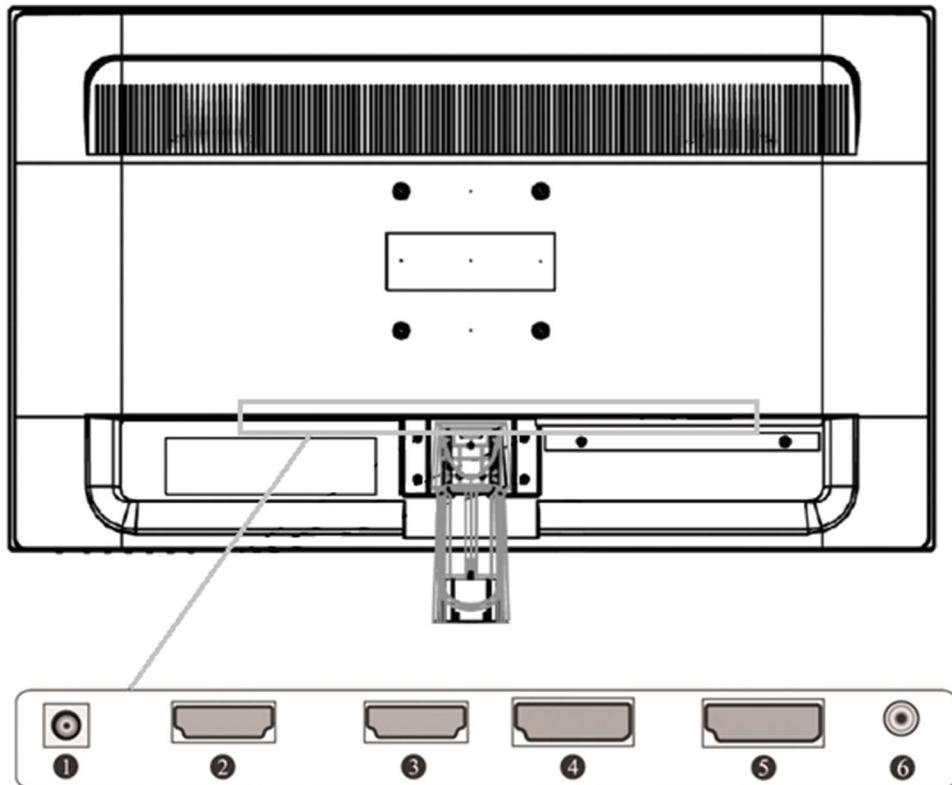
*Warranty card might be separate or include inside user manual.

*Power cord is EU type (Germany, France etc...) for other countries such as Italy or UK please use shape adaptor.



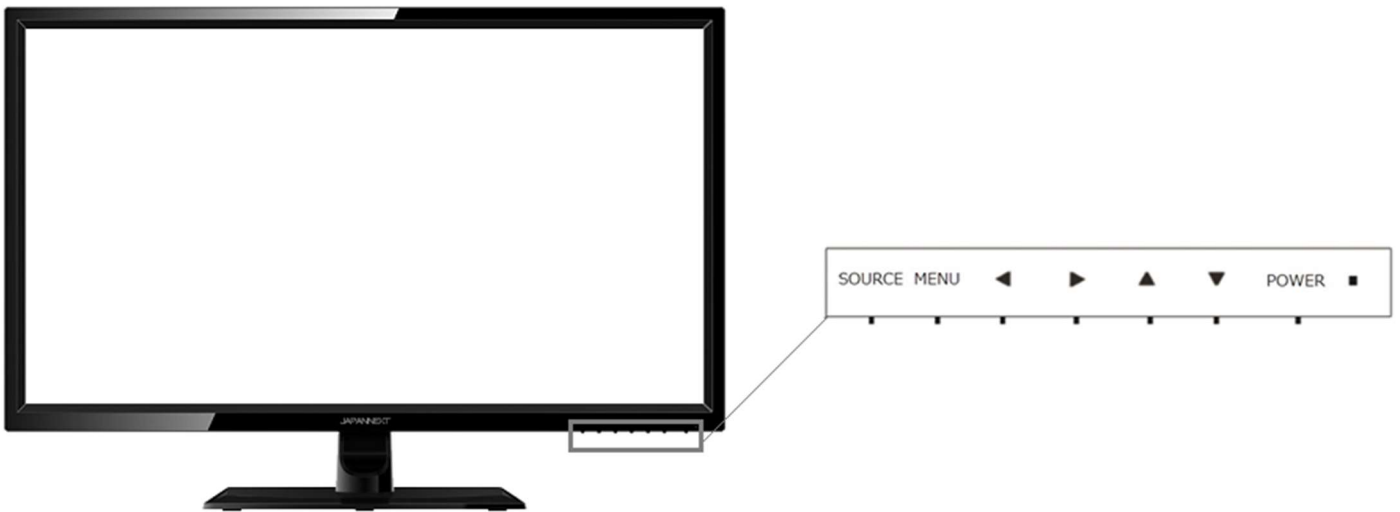
*Power
Plug
Shape

CONNECTORS



- 1 • **DC Power Plug:** Please use only the power DC adaptor and power cord included in Package.
- 2 and 3 • **HDMI 2.0 Connectors:** (60Hz) Can be use with both monitor and a large variety of AV products such as: game console or HDD recorders, net TV box etc.
- 4 and 5 • **DP (Display port 1.2) Connector:** When removing cable, make sure you press the ▲ button.
- 6 • **AUDIO OUT:** Connect earphones or external speakers to the monitor.

CONTROL BUTTONS



SOURCE	Press this button to exit menu. * Shortcut key: select the source.
MENU	To enter menu setting page.
◀	Press this button move left to select the OSD setting. * Shortcut key: Decrease the volume
▶	Press this button move right to select the OSD setting. * Shortcut key: Increase the volume
▲	Press this button move up to select the OSD setting.
▼	Press this button move down to select the OSD setting.
POWER	To turn ON/OFF the monitor.
LED	LED blue : Monitor ON LED OFF : Monitor OFF or Standby

OSD MENU (monitor function control menu)

MENU	SUBMENU	FUNCTION	NOTE
PICTURE SET	BRIGHTNESS	0 - 100	Adjust brightness from 0 to 100
	CONTRAST	0 - 100	Adjust contrast from 0 to 100
	PICTURE MODE	SRGB	Select picture mode
		ENERGY SAVE	
		STANDARD	
		TEXT	
		MOVIE	
		GAME	
DCR	ON - OFF	Set DCR function on or off	
GAMMA	OFF - 1.8 - 2.0 - 2.2 - 2.4	Adjust the gamma	
IMAGE	H.POSITION	0 - 100	Adjust horizontal position
	V.POSITION	0 - 100	Adjust vertical position
	CLOCK	0 - 60	Adjust the pixel clock
	PHASE	0 - 100	It allows to reduce video distortion and instability components.
	ASPECT	WIDE	It allows to change the video format of the images among " WIDE - 4:3 "
		4:3	
	SHARPNESS	0 - 1 - 2 - 3 - 4	It allows to optimize image sharpness parameters according to ambient light
COLOR TEMP.	USER	RED 0-100	It allows to change the color settings
		GREEN0-100	
		BLUE0-100	
	WARM		
	COOL		
	SATURATION	0 - 100	It allows to change colors of the image
	HUE	0 - 100	Only used in NTSC system

OSD SETTING	LANGUAGE	ENGLISH	It allows to select the desired language	
		FRENCH		
		ESPANOL		
		DEUTSCH		
		ITALIANO		
		Ect...		
	OSD H. POS.	0 - 100	Adjust horizontal position	
	OSD V. POS.	0 - 100	Adjust vertical position	
	OSD TIMER	0 - 60	Set the display time of the menu	
	TRANSPARENCY	0 - 100	Adjust the transparency of the menu	
RESET	IMAGE AUTO ADJUST		It allows to auto adjust the image	
	COLOR AUTO ADJUST		It allows to auto adjust the image color	
	RESET		It allows to set up to the factory default	
	OverDrive	OFF - ON	is Over driving and it allows to set up the image overdriving	
MISC.	SIGNAL SOURCE	HDMI 1	It allows to choose the signal source	
		HDMI 2		
		DP 1		
		DP 2		
		AUTO		
		LOW BLUE LIGHT	0-25-50-75-100	Reduces blue light
		VOLUME	0 - 100	change the volume of the monitor
		MUTE	ON - OFF	set up the volume on or off
	FREE SYNC	ON - OFF	set up the free sync effect on or off to ensure the image display effect	

About FreeSync

Activate ON only if your AMD graphic card is FreeSync compatible (Even if you have an AMD graphic card it might is not be FreeSync compatible).

If your graphic card is not AMD FreeSync compatible (NVIDIA, ATI, etc...) choose OFF to avoid display problems.

FAQ & TROUBLE SHOOTING

If monitor fails to operate correctly, please make the following check and try to apply corrections before contacting JAPANNEXT customer service.

•No picture (LED power indicator does not lit)

- Ensure the power cord is plugged into the power outlet and into the back of the monitor.
- Is monitor ON? To make sure press once the power button.
- Make sure power outlet is working by trying it out with another electrical device.
- Make sure DC adaptor is working. LED should be green.
- Ensure computer isn't in standby mode by moving the mouse or clicking on keyboard.

•No picture (LED power indicator is On or is flashing)

- Ensure computer is turned on.
- Ensure a signal cable is properly connected to your computer.
- Ensure the monitor cable isn't damaged (no bent pins on the connector, cable not bent etc...) If necessary, replace it.
- Make sure the Energy Saving feature isn't activated.
- Increase brightness, if still no image, then adjust contrast.
- Make sure the computer signal timing is within monitor's specification.

•Monitor is vibrating. Monitor is making a noise.

- Make sure power outlet voltage is adequate with monitor and AC-DC adaptor specification.
- If specification seems to be adequate, unplug monitor immediately and contact JAPANNEXT customer service ASAP.

•Image is blurring, vibrating, flickering, is indistinct etc.

- Make sure the computer signal timing is within monitor's specification.

•Image is blurring / distort / fuzzing etc...

- Disable the FreeSync if your graphics card is not compatible.
- In computer display settings, set resolution to the same mode as monitor's recommended screen native resolution 3840x2160 (UHD).
- Make sure the computer signal timing is within monitor's specification.

•I got confused when change settings in the OSD.

- Open OSD menu, then choose "RESET" and validate that choice. This will restore original defaults settings.

•No sound.

- Ensure your computer/monitor settings aren't set to mute. Ensure also volume is turned on both PC and monitor.
- Make sure your computer settings for audio output is set correctly.

•Image quality is poor.

- When using 4K resolution, huge computer resources are necessary. Ensure you have a good graphic card and enough RAM on your computer.

•Cannot display UHD (3840x2160). Or, can display UHD but not @60Hz

- Please make sure there is no mistake that: your graphic card (or integrated motherboard) is compatible UHD, and also that it is compatible UHD with all cables, the cable you are using is compatible UHD, that cable and graphic card support NOT only UHD but UHD@60Hz.

ATTENTION

Ce manuel de l'utilisateur contient les informations nécessaires à l'utilisation de votre moniteur, prenez le temps de le lire et respectez les consignes s'y trouvant, avant de connecter ou d'utiliser votre moniteur JAPANNEXT. Une utilisation différente de celle décrite dans ce manuel comporte des dangers pour votre moniteur, son environnement et les personnes se trouvant à proximité.

La garantie JAPANNEXT s'applique à condition que le produit soit manipulé correctement pour son utilisation prévue en conformité aux instructions d'utilisation. Il est également nécessaire de pouvoir présenter une preuve d'achat (facture/ticket de caisse, indiquant le nom du revendeur, la date de l'achat ainsi que la référence du modèle et le numéro de série du produit).

Attention - Consignes de sécurité importantes - Avertissements

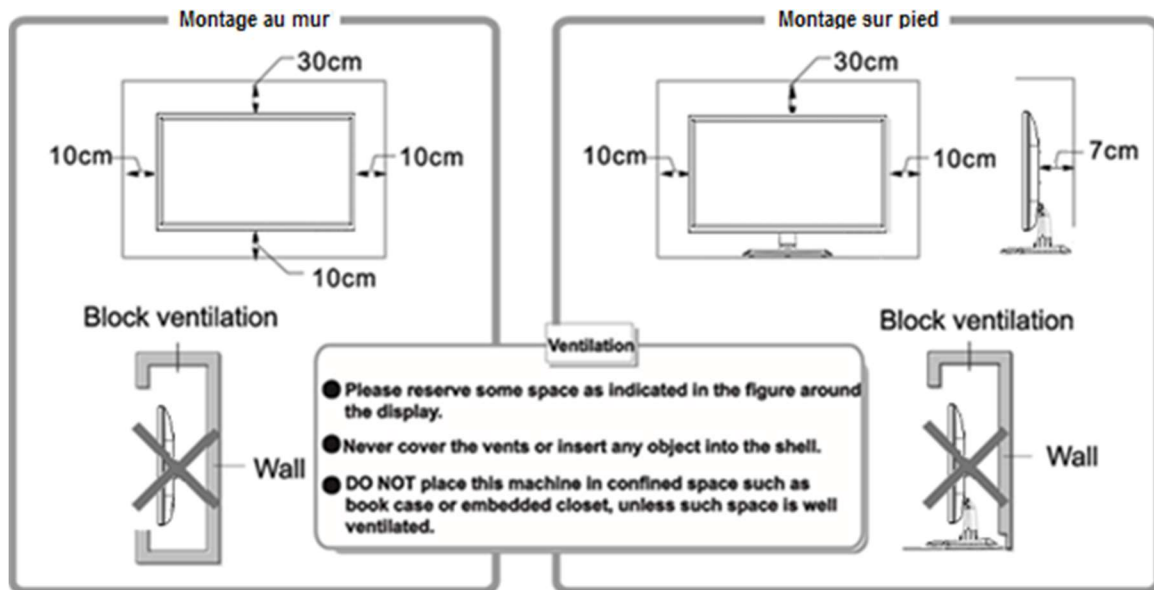
Veuillez respecter scrupuleusement les indications d'utilisation de ce manuel. L'utilisation de boutons de réglages, de procédures ou d'ajustements différents de ceux qui sont décrits dans ce manuel pourrait présenter un risque d'électrocution, de choc électrique et/ou mécanique.

- Débranchez immédiatement votre moniteur s'il émet de la fumée, des odeurs, de la vapeur ou des sons anormaux et contactez votre service après-vente JAPANNEXT. Continuer l'utilisation peut être dangereux et engendrer un incendie ou un choc électrique.
- Ne jamais ouvrir le moniteur, il doit être ouvert seulement par un technicien qualifié. L'ouverture du moniteur peut vous exposer à des risques d'incendie, des chocs électriques, une mise en danger. Il contient des éléments haute-tension.
- Ne jamais introduire de corps étrangers solides ou liquides à l'intérieur du moniteur, éloigner toutes choses qui pourraient empêcher le refroidissement correct de l'écran ou pouvant tomber dans ou sur les orifices de ventilation. En cas d'introduction de liquide ou corps étrangers à l'intérieur du moniteur, débrancher le cordon d'alimentation immédiatement et contacter le SAV JAPANNEXT, sous risque de dommage, chocs électriques, incendie.
- N'exposez **pas** votre moniteur à :
 - une source de chaleur (ex. : un radiateur), une flamme (ex. : une bougie).
 - une source d'eau, à la pluie ou à l'humidité (+80%), à la poussière, de la fumée.
 - à la lumière directe du soleil ou autre source lumineuse directe.
 - à des variations brutales de températures.
 - à une température inférieure à 5° ou supérieure à 40° pendant l'utilisation.
 - à une température inférieure à -5° ou supérieure à 50° pendant le stockage.
 - à des vibrations ou à des impacts lorsque vous l'utilisez.

Cela peut causer : des dommages au moniteur et aux utilisateurs, un risque d'incendie ou de chocs électriques.

- Ne pas laisser votre moniteur dans une voiture ni dans son coffre.
- Ne pas faire tomber, ni faire subir des chocs au moniteur pendant le transport, l'installation ou l'utilisation.
- Installer votre moniteur sur une surface stable et plane, s'il bascule il peut provoquer des blessures et être endommagé.
- Assurez-vous qu'aucun objet ne puisse tomber sur le moniteur, au risque de provoquer des dommages ou blessures.

- Il faut toujours maintenir une bonne ventilation. Le moniteur est équipé de fentes de ventilation, qu'il ne faut en aucun cas couvrir, ou placer à proximité immédiate d'un objet. Pour assurer une bonne ventilation du moniteur veuillez l'installer à au moins 10cm du mur et autres objets. Ne pas respecter ces règles peut entraîner une surchauffe et de possibles risques d'incendie et de dommages.



- Ne pas toucher le moniteur ou la prise de courant ainsi que les câbles et l'adaptateur avec les mains humides, vous risquez un choc électrique.
- Veillez à ce que la prise et la fiche d'alimentation soient facilement accessibles à tout moment, mais pas accessibles à un enfant qui pourrait se blesser en tirant dessus.
- Ce moniteur n'est pas conçu pour une utilisation 24h/24 7jours/7.
- Utilisez toujours le câble secteur fourni par JAPANNEXT. S'il est manquant, veuillez contacter le service client JAPANNEXT.

Maintenance

- Pour protéger votre moniteur contre de possibles dommages, n'appuyez pas sur l'écran LED. Lorsque vous le déplacez, saisissez-le par le cadre ; ne mettez pas vos mains ni vos doigts sur l'écran à cristaux liquides.
- Pour nettoyer le moniteur, débranchez-le absolument et vérifiez qu'il soit hors tension avant de commencer. Pour le nettoyer, utilisez un chiffon légèrement humide, ou des produits spécialisés pour le nettoyage de moniteur LED. Vous pouvez aussi utiliser un chiffon sec. ATTENTION, n'utilisez jamais de solvants comme les liquides à base d'ammoniaque ou d'alcool, de l'essence, ou de la cire et autres nettoyants abrasifs ou atomiseurs.
- Afin d'éviter les accidents, débranchez votre moniteur s'il n'est pas utilisé pendant une longue période.
- Si le moniteur est mouillé, débranchez le et séchez-le immédiatement avec un chiffon sec.
- Pour s'assurer les performances optimales de votre moniteur et l'utiliser plus longtemps, veillez à ce qu'il se trouve dans un espace compris dans les plages de température et d'humidité suivantes :

Température : 0-40°C 32-105°F Humidité : 20-70% HR

Informations importantes à propos des écrans à cristaux liquides

- L'affichage sans interruption de manière prolongée d'images immobiles ou statiques peut engendrer une « image rémanente », également appelée « image résiduelle ou image fantôme ». Activez systématiquement un programme économiseur d'écran en mouvement lorsque votre écran n'est pas sollicité, ou paramétrez votre ordinateur pour qu'il se mette en veille au bout de quelques minutes en cas de non utilisation (image immobile de l'écran).
- Ces images «images résiduelles », « images rémanentes » ou « images fantômes » sont un phénomène commun des panneaux LCD. Dans la plupart des cas, elles disparaissent progressivement une fois l'alimentation éteinte quelques heures.

ATTENTION : Si vous n'utilisez pas un économiseur d'écran ou une application de rafraîchissement périodique de l'écran, les symptômes d'«images résiduelles », « images rémanentes » ou « images fantômes » risquent de ne pas disparaître et ne pourront pas être réparés. Ce dommage n'est pas couvert par notre garantie.

Recommandation d'usage

- Pour votre confort et une vision optimale n'utilisez pas le moniteur à contre-jour.
- Pour votre santé nous vous conseillons de ne pas utiliser le moniteur dans une pièce sombre, de positionner l'écran au-dessous du niveau des yeux à une distance d'environ 40 à 60 cm. En cas d'utilisation prolongée, il est recommandé de prendre une pause de 10 minutes par heure d'utilisation.

Service / SAV

- Adressez-vous à un technicien ou au service client JAPANNEXT si le moniteur ne fonctionne pas normalement ou si vous n'êtes pas sûr(e) de la procédure à suivre après avoir lu ce manuel d'instructions du mode d'emploi.

Mise au rebut du produit et des matériaux d'emballage



Déchet d'équipement électrique et électronique-DEEE

Cette marque sur l'emballage ou le produit signifie que, sous la Directive Européenne 2012/19/EU gouvernant l'utilisation des équipements électriques et électroniques, ce produit ne peut être jeté avec les ordures ménagères. Vous êtes responsable de l'élimination de cet article au travers d'une collecte des déchets d'équipements électriques et électroniques désignés. Pour déterminer les emplacements des ordures électriques et électroniques, veuillez contacter votre représentant du gouvernement local pour connaître les détails et démarches pour l'organisation de décharge d'ordure dont dépend votre foyer ou le magasin où vous avez acheté le produit.

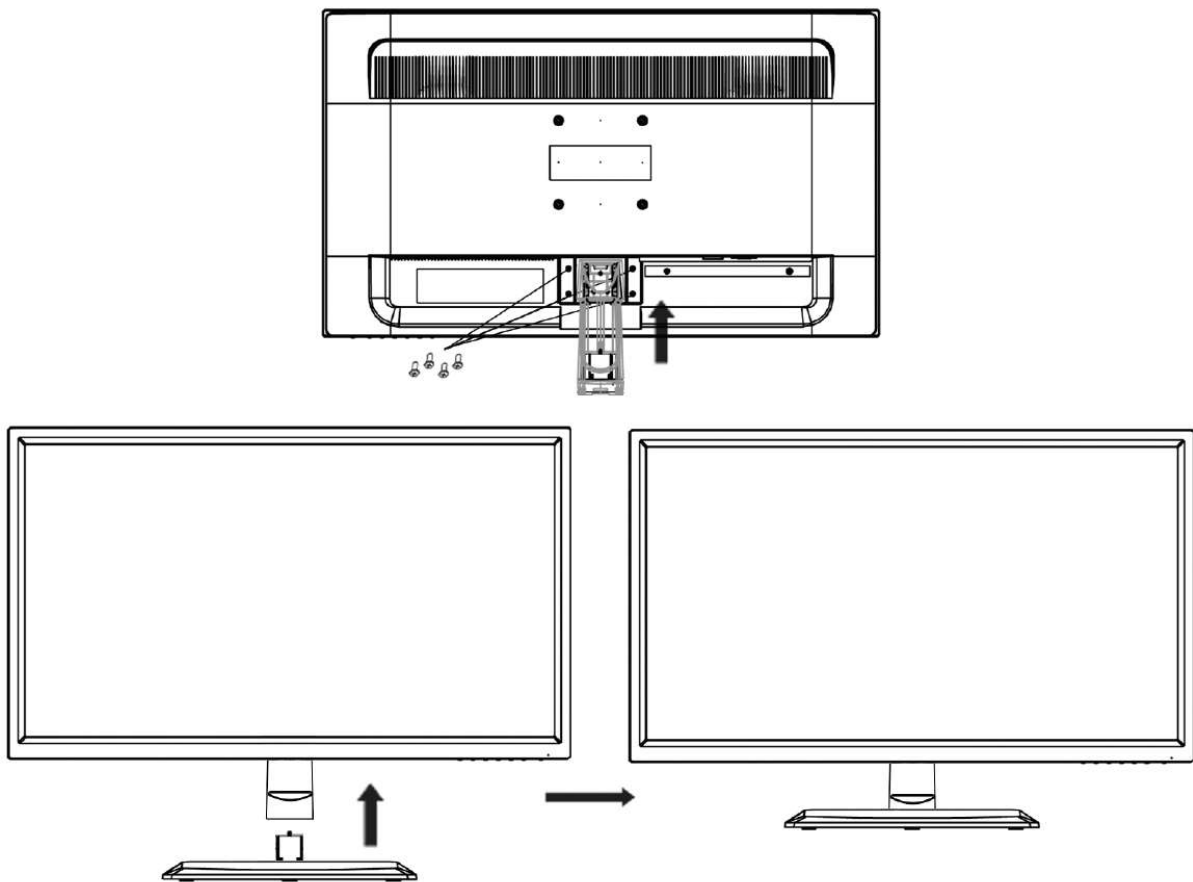
Votre nouvel écran contient des matériaux réutilisables et recyclables. Certaines sociétés ont pour spécialité de recycler votre produit pour augmenter la quantité de matériels réutilisables et donc de limiter la quantité à être jetée.

GUIDE DE DEMARRAGE RAPIDE

Sortez l'écran de sa boîte, placez le vers le bas en le posant sur une surface douce de manière à protéger le panneau à cristaux liquides. Choisissez une surface stable avec assez de place autour pour assurer un montage en sécurité.

INSTALLATION DU MONITEUR

- 1- Poser le moniteur à plat sur une surface douce et stable, en faisant attention à ne pas rayer l'écran.
- 2- Positionner le cou du pied à l'arrière du moniteur, en le plaçant comme sur la photo ci-dessous et utiliser les 4 vis fournies pour le fixer. Visser sans forcer.
- 3- Clipser le socle du pied, partie arrondie coté écran, sur le dessous du cou du pied.
- 4- Vérifier que les pieds soient fermement attachés.



- 5- Assurez-vous que ni le moniteur ni l'ordinateur ne soient sous tension (débrancher les câbles).
- 6- Branchez les câbles de signal du moniteur (HDMI, DP etc..) sur votre PC et votre moniteur.
- 7- Insérez les câbles d'alimentation de votre moniteur et ordinateur.
- 8- Mettez votre moniteur et ordinateur sous tension.

ATTENTION AUTRES REMARQUES

Après avoir allumé l'ordinateur et le moniteur si rien ne s'affiche, vérifier que le bon câble source soit sélectionné. Veuillez utiliser une prise de secteur avec une prise de terre.

CONTENU DE L'EMBALLAGE



Manuel



Adaptateur DC



Câble Secteur

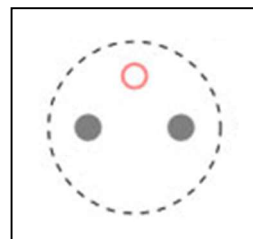


Câble HDMI

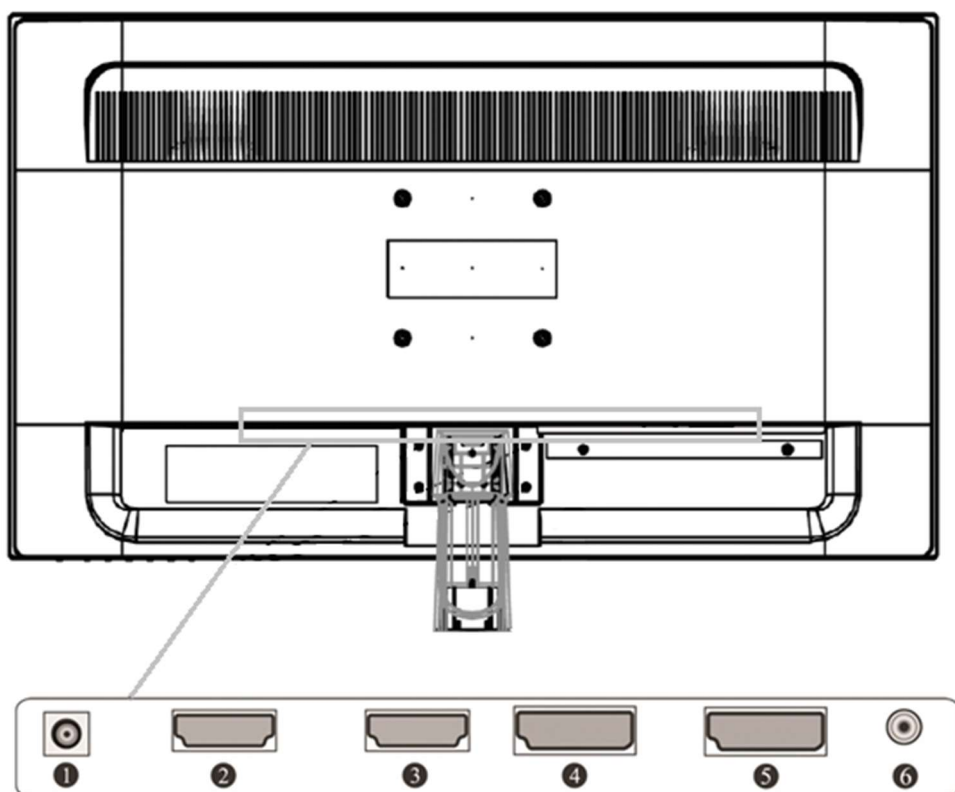
- La carte de garantie peut être incluse dans le manuel ou est présente séparément.

- Le câble secteur fourni est de type Européen (France, Allemagne, Espagne etc...)

Pour une utilisation dans un pays avec des prises de type différente, utilisez un adaptateur.

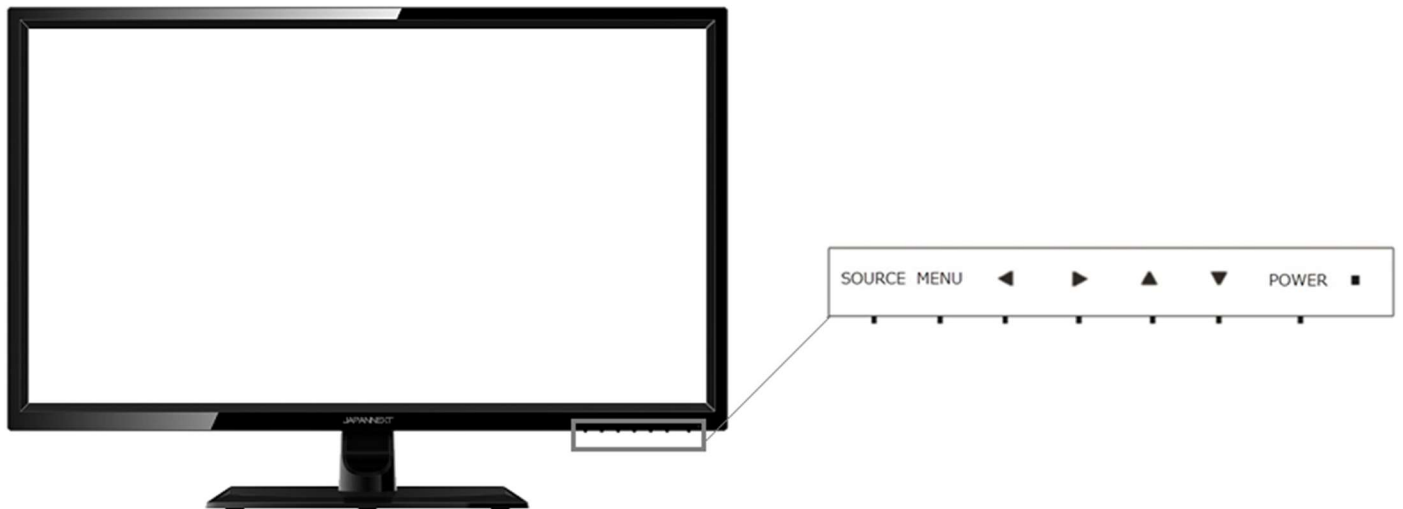


CONNECTEURS



- 1 • **Connecteur d'alimentation DC:** Veuillez utiliser uniquement le câble et adaptateur DC fourni avec le moniteur. Prière d'utiliser une prise secteur avec prise de terre.
- 2 et 3 • **Port HDMI 2.0:** (60Hz) Peut être utilisé pour brancher non seulement des ordinateurs mais aussi une grande variété de matériel audio-vidéo comme des consoles de jeux vidéo etc.
- 4 et 5 • **Port DP (Display port):** Pour enlever le câble appuyez sur la flèche (▲) de manière à débloquer le câble.
- 6 • **Sortie Audio:** sortie audio à partir du moniteur vers des haut-parleurs ou écouteurs.

BOUTONS DE REGLAGES



SOURCE	Sortir du menu. *Touche raccourci: sélection de la source (HDMI ou DP).
MENU	Ouvre le menu.
◀	Naviguer dans le menu vers la gauche. * Raccourci: diminuer le volume.
▶	Naviguer dans le menu vers la gauche. * Raccourci: diminuer le volume.
▲	Naviguer dans le menu vers le haut.
▼	Naviguer dans le menu vers le bas.
POWER	Allumer ou éteindre le moniteur.
Voyant	LED bleu : Moniteur allumé. LED éteinte : Moniteur éteint ou en veille.

MENU OSD (Menu de réglage)

MENU	SOUS-MENU	FONCTION	NOTE
SET FICHE	LUMINOSITE	0 - 100	Ajustez la luminosité de 1 à 100
	CONTRASTE	0 - 100	Ajustez le contraste de 1 à 100
	MODE IMAGE	SRGB	Sélectionnez le format de l'image
		ECONOMIQUE	
		STANDARD	
		TEXTE	
		FILM	
		JEU	
DCR	MARCHE- ARRET	ON: Augmentation du ratio de contraste	
GAMMA	OFF - 1.8 - 2.0 - 2.2 - 2.4	Ajustez le gamma	
IMAGE	POSITION H.	0 - 100	Ajustez la position horizontale
	POSITION V.	0 - 100	Ajustez la position verticale
	HORLOGE	0 - 60	Ajustez le "pixel clock"
	PHASE	0 - 100	Il permet de réduire les composants de distorsion vidéo et d'instabilité
	ASPECT	WIDE	Permet de changer le format vidéo des images
		4:3	
	SHARPNESS	0 - 1 - 2 - 3 - 4	Permet d'optimiser les paramètres de netteté d'image en fonction de la lumière ambiante
COULEUR	PERSONNALISE	ROUGE 0-100	Permet de modifier les paramètres de couleur
		VERT 0-100	
		BLEU 0-100	
	CHAUD		
	FROID		
	SATURATION	0 - 100	Permet de changer les couleurs de l'image
	TEINTE	0 - 100	Utilisé uniquement dans le système NTSC

REGLAGE OSD	LANGUE	ENGLISH	Changer la langue du menu (OSD)
		FRENCH	
		ESPAÑOL	
		DEUTSCH	
		ITALIANO	
	Ect...		
REGLAGE OSD	POS .H .OSD	0 - 100	Déplacer l'OSD horizontalement
	POS .V .OSD	0 - 100	Déplacer l'OSD verticalement
	TIMER OSD	0 - 60	Sélectionnez le temps d'affichage de l'OSD
	TRANSPARENCE	0 - 100	Sélectionnez la transparence de l'OSD
RESET	AJUST. AUTO IMAGE		Ajuste automatiquement l'image
	AJUST. AUTO COULEUR		Ajuste automatiquement le couleur
	RESET		Restore les paramètres d'usine
	OD	OFF - ON	Activer/désactiver l'Overdrive
AUTRES	ENTREE	HDMI 1	Sélectionnez la source du signal vidéo
		HDMI 2	
		DP 1	
		DP 2	
		AUTO	
	LOW BLUE LIGHT	0-25-50-75-100	Réduit la lumière bleue
	VOLUME	0 - 100	Ajustez le volume de 0 à 100
	MUET	ON - OFF	Activer/désactiver le mode muet
FREE SYNC	ON - OFF	Activer/désactiver le FreeSync (activer seulement avec une carte compatible)	

A propos de FreeSync

Activez (ON) la fonction FreeSync, uniquement si votre carte graphique AMD est compatible avec FreeSync (Même si vous avez une carte graphique AMD, elle n'est pas forcément en charge le FreeSync).

Si votre carte graphique n'est pas compatible avec AMD FreeSync, choisissez OFF pour éviter les problèmes d'affichage.

DEPANNAGE / FAQ

En cas de problème de fonctionnement veuillez vérifier les points suivants et appliquer les corrections correspondantes avant de contacter le SAV JAPANNEXT.

•L'écran ne s'allume pas (voyant d'alimentation est éteint)

- Le câble d'alimentation est-il bien branché au moniteur ? Est-il bien branché à la prise secteur ?
- Le moniteur est-il allumé ? Appuyer sur le bouton marche/arrêt du moniteur.
- Branchez un autre appareil sur la prise secteur pour être sûr que celle-ci marche.
- Vérifiez si l'adaptateur DC fonctionne (LED verte allumée).
- L'ordinateur est-il en veille ? Dans ce cas bougez la souris ou appuyez sur une touche du clavier.
- La fonction d'économie d'énergie du PC n'est-elle pas activée ?

•L'écran ne s'allume pas / AUCUNE image (voyant d'alimentation est allumé ou scintille)

- L'ordinateur est-il bien en marche ?
- Y a-t-il un câble signal reliant le moniteur et l'ordinateur ?
- Le câble signal n'est-il pas endommagé (et ses broches ne sont-elles pas tordues) ?
- Augmenter la luminosité. Augmenter le contraste.
- Le câble de signal est-il correctement branché ?
- Les valeurs de signaux de votre ordinateur sont-ils compatibles avec ceux du moniteur? Essayer de régler la résolution de l'image (paramètres de votre PC) sur 3840x2160.

•L'écran tremble ou émet un bruit.

- La tension d'alimentation est-elle compatible avec le moniteur et son adaptateur DC ?
- Si les spécifications techniques semblent bonnes, débranchez le moniteur immédiatement et contactez le SAV JAPANNEXT.

•L'image est floue, scintille, vibre ou est imparfaite.

- Désactiver le FreeSync si votre carte graphique n'est pas compatible.
- Les valeurs de signaux de votre ordinateur sont-ils compatibles avec ceux du moniteur ?

•L'image est déformée et le texte n'est pas clair.

- Réglez la résolution de l'image (dans les paramètres de votre ordinateur) sur 3840x2160 (UHD).
- Les valeurs de signaux de votre ordinateur sont-elles compatibles avec celles du moniteur ?

•Je pense avoir fait de mauvais réglages dans le menu OSD.

- Ouvrez le menu OSD, cliquez sur RESET et validez ce choix pour restaurer les paramètres d'origine.

•Aucun son.

- Vérifiez le niveau du son sur votre PC et si le mode muet n'est pas activé.
- Vérifiez les paramètres de l'ordinateur pour le choix de la sortie audio.
- Vérifiez si le mode muet du moniteur n'est pas activé.

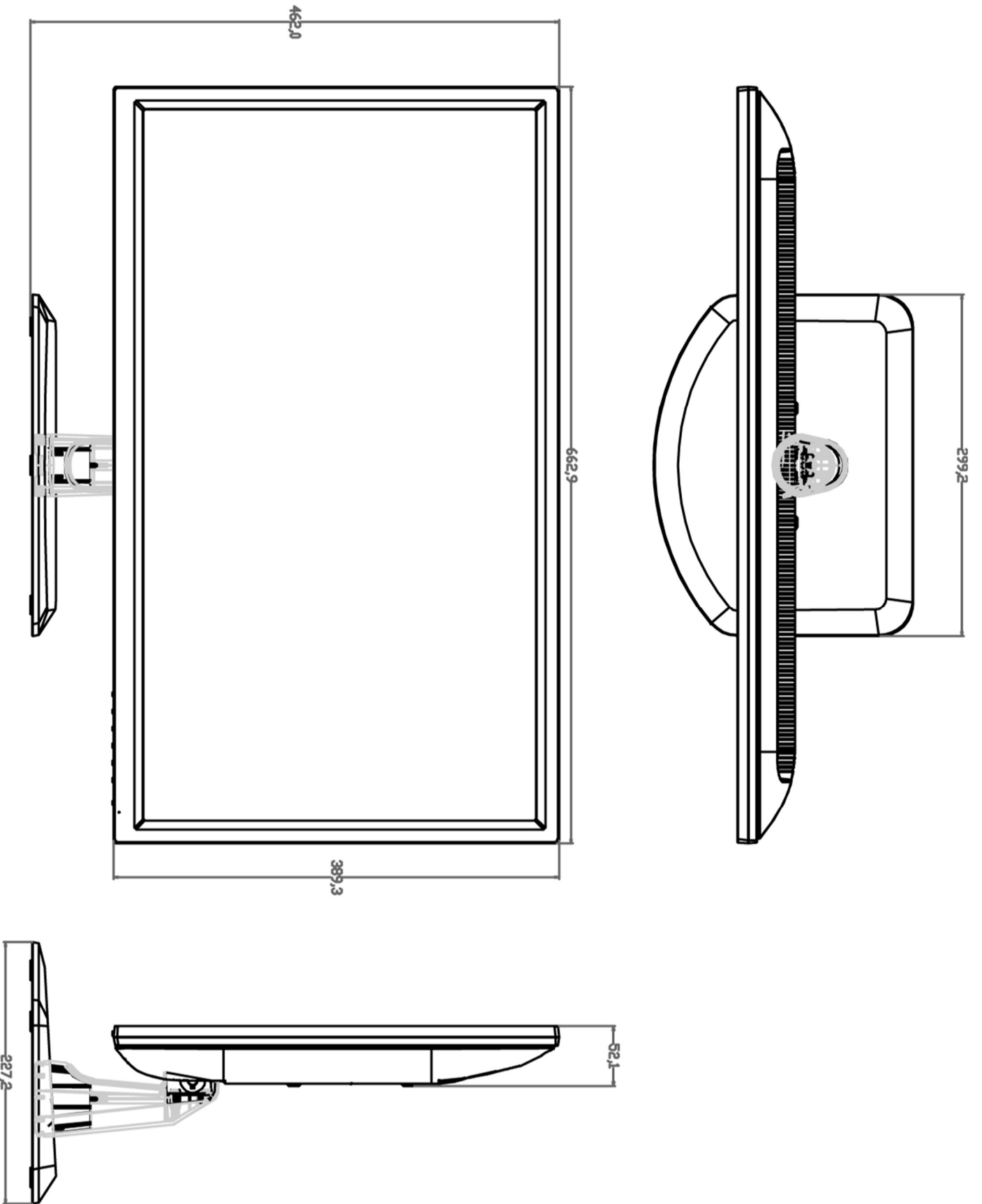
•L'image n'est pas d'une qualité extra.

- La UHD (4K) nécessite d'importantes ressources, nous vous recommandons d'utiliser une bonne carte graphique et assez de RAM. Si votre PC est assez vieux ses ressources peuvent être limitées.

TECHNICAL SPECIFICATION

Monitor Size		28" UHD
Model Name		JN-T2822UHD
LCD Panel	Type	TN
	Display size	28"
	Backlight	ELED edge Type
	Brightness(Typical)	300cd/m2(Typical)
	Contrast(Typical)	1000 : 1
	Contrast(DCR)	YES
	Pixel Pitch	0.16 (H) ×0.16(V)
	Resolution (H x V)	3840×2160
	Aspect Ratio	16/9
	Response Time	3ms
	View Angles LR,UD(CR>10)	H:170° - V:160° (CR>10)
	Panel Surface	Non-glare
	Display Colors	1.07Billion (10-bit) sRGB 100%
	Functions	MHL
Flicker free		YES
Blue Light cut/ Low blue light mode		YES
HDCP		YES(2.2)
PIP-PBP		No
Interface and max resolution/ refresh rate	HDMI1 (HDMI 2.0)	3840x2160 @ 60Hz
	HDMI2 (HDMI 2.0)	3840x2160 @ 60Hz
	DP1 (DP 1.2)	3840x2160 @ 60Hz
	DP2 (DP 1.2)	3840x2160 @ 60Hz
Output Terminal	Earphone	YES
	Speaker(Typical)	2 x 5W
Power	Consumption(Typical)	Max: ≤ 39W Typ: ≤ 29W Standby: ≤0.3W
	AC Power Range	AC 100-240V 50-60Hz
	Power Mode Indicator Light	Power on :Blue(LED) Power saving : no led
	Operating Condition	Temperature Humidity
Physical	Dimension (W*D*H)	663 x 170 x 453 mm (Congestion) 663 x 55 x391 (Without stand)
	Packing Dimension Inner box	710 x 138 x 498 mm
	Net Weight	5 kgs
	Gross Weight	6.6 kgs
	Tilt	-15 +5 (±3)
	Kensington Lock	NA
	VESA Mounting	100mm×100mm
Controls	Front Control	SOURCE, MENU, left, right, up, down, POWER
	Color	User Mode, WARM, COOL, NORMAL
	Preset Mode	STANDARD / GAME / MOVIE / TEXT / ECO / sRGB
Accessory	Power Cable	YES (euro)
	HDMI-HDMI Cable	YES (HDMI 2.0)
	User Manual	YES
Compability	Windows 7/8/8.1/10	YES
	MAC OS	YES

DIMENSIONS



COMPLIANT TIMING

Mode	Resolution	Horizontal frequency (kHz)	Vertical frequency (Hz)
4K2K	3840x2160	135	60
WQXGA	2560x1600	98.7	60
WQXGA	2560x1440	88.7	60
WUXGA	1920x1080	67.5	60
UXGA	1680x1050	59.8	60
WXGA+	1440x900	55.5	60
SXGA	1280x1024	63.5	60
		80.0	75
XGA	1024x768	48.4	60
		56.5	70
		60.0	75
SVGA	800x600	37.9	60
		47.2	72
		46.9	75
VGA	640x480	31.5	60
		37.9	72
		37.5	75
DOS	720x400	31.5	70

e-mail: contact@japannext.com