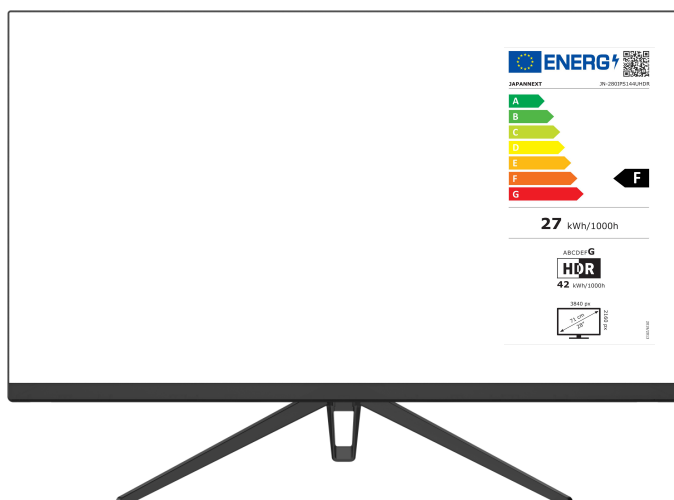


JAPANNEXT



28-inch wide UHD 144Hz LED LCD Monitor JN-280IPS144UHDR



EUROPE www.japannext.eu

JAPAN www.japannext.net

ENG User Manual

Take a few minutes to read carefully this brief manual before switching your new JAPANNEXT monitor ON.
Keep this manual in a safe place for future reference.

FR Manuel de l'utilisateur

Ce manuel de l'utilisateur contient les informations nécessaires à l'utilisation de votre moniteur, prenez le temps de le lire, avant d'utiliser votre moniteur JAPANNEXT. Veuillez conserver ce manuel dans un endroit sûr pour toute référence ultérieure.

TABLE OF CONTENTS / TABLE DES MATIERES

ENGLISH

SAFETY PRECAUTIONS	3
ABOUT CLEANING AND PRECAUTIONS	4
WELCOME !	4
QUICK START GUIDE	5
CONTENTS OF THE PACKAGE	6
CONNECTORS	6
EXPLANATION OF DISPLAY BUTTONS	7
OSD MENU	8
REMOTE	9
ABOUT JAPANNEXT HDR10	10
FAQ	11
TECHNICAL SPECIFICATION	12
JAPANNEXT CUSTOMER SUPPORT	13

FRANÇAIS

INSTRUCTIONS DE SÉCURITÉ	15
NETTOYAGE ET PRÉCAUTIONS	16
BIENVENUE !	16
GUIDE DE DÉMARRAGE RAPIDE	17
CONTENU DE L'EMBALLAGE	18
CONNECTEURS	18
EXPLICATION DES BOUTONS D'AFFICHAGE	19
MENU OSD	20
TÉLÉCOMMANDE	21
À PROPOS DU JAPANNEXT HDR10	22
FAQ	23
SPÉCIFICATIONS TECHNIQUES	24
ASSISTANCE CLIENTÈLE JAPANNEXT	25

ENG For quality improvement we reserve the right to change this manual content or product specifications without notice. JAPANNEXT Corp. owns trademarks of this manual.

FR Nous nous réservons le droit de modifier le contenu de ce manuel, ou les caractéristiques de nos produits sans préavis à des fins d'amélioration de la qualité. JAPANNEXT Corp. détient les droits d'auteur de ce manuel.

SAFETY PRECAUTIONS

Please be sure to read all the included instructions and manuals carefully before using.

Warning

- Place the monitor on a stable, flat surface and avoid exposing it to high or low temperatures, humidity, or dust to prevent the risk of fire or electric shock.
- Do not use the monitor in a location where water or moisture is present, as this could result in serious injury or cause a fire.
- Do not attempt to open the cabinet of the monitor, as there are high voltage parts inside that could be dangerous or cause a fire.
- If the power supply unit becomes damaged, contact our service center or the retailer instead of attempting to inspect or repair it yourself.
- Before use, ensure that all cables are properly connected, and the power cord is not damaged. If any damage or issues are found, contact the retailer immediately.
- The narrow slots and openings on the top or back of the cabinet are necessary for ventilation. Do not block these holes. Also, be sure not to place the monitor near or on a heat source, such as a heater, without proper ventilation.
- Do not insert foreign objects or spill liquids into the openings of the monitor's cabinet, as this may cause damage or malfunctions.
- Use only the type of power supply indicated on the label of the product when operating the monitor. If you are unsure of the power supply type in your area, contact your local power company.
- Do not overload power strips or extension cords with excessive current. Overloading can result in electric shock and is extremely dangerous.
- To protect the monitor from damage caused by power surges, unplug the device's power cord during extended periods of non-use or during thunderstorms.
- For optimal performance, use this product with a PC that has a properly configured socket and falls within the AC100-240V range.
- If you experience any technical issues or have any questions about the monitor, please contact an authorized service technician or retailer.
- For safe operation, always connect the grounding wire before plugging the power cord into the outlet. And when removing the grounding wire, be sure to unplug the power cord first.
- This product is not designed for continuous use for 24 hours. Do not use the product continuously for 24 hours. When not in use for a long time, unplug the power plug.

Note

- When cleaning the monitor, do not use cleaners or detergents containing alcohol or acetone. Be sure to use a liquid crystal monitor-specific cleaner. Do not directly spray liquid cleaners onto the screen. Please be careful as there is a risk of electric shock or fire if the cleaner liquid drips into the monitor interior. Do not rub the LCD panel with hard objects as it is easily damaged.
- When lifting or moving the monitor, be sure to turn off the power switch and unplug all cables and power cords in advance. When setting up the monitor, lift it correctly. When lifting or transporting the monitor, hold the edge of the main unit. Never lift the monitor with the stand or cable.

Please take care of your eyes when using

- Using in a dark room or for long periods of time can strain your eyes.
- Take a 5-10 minute break every hour and use in a moderately lit room.

ABOUT CLEANING AND PRECAUTIONS

- Before cleaning this product, turn off the power switch and unplug all cables and power cords.

Maintenance Method

- LCD panel: Gently wipe with a clean, soft cloth specifically for LCD panels. Do not use tissue paper. For hard-to-remove dirt, use a soft cloth slightly dampened with a neutral cleaner specifically for LCD panels.
- Cabinet: Wipe with a soft cloth dampened with a neutral cleaner.

The following symptoms are normal for the monitor:

- During initial use, there may be screen flickering due to the nature of the backlight. If this occurs, turn off the power and turn it back on again to confirm.
- Depending on the desktop pattern or displayed color and brightness, there may be uneven brightness.
- There may be a few pixels that are constantly lit or not lit.
- If the same image is displayed for a long time, there may be residual images even after switching to a different image. The screen will slowly recover, or turning off the power for a few hours can also fix this.
- Depending on your computer, the image may appear shifted. Adjust the screen position from the OSD (on-screen display) menu (for VGA port only).
- If the screen flashes, goes completely black, or stops working, do not attempt to repair it yourself. Contact the service center or retailer to request repairs.

WELCOME !

Thank you for purchasing JAPANNEXT's 28-inch wide LCD monitor. The panel installed supports the UHD (3840 x 2160) resolution.

We recommend using it at the UHD resolution to fully utilize its capabilities. The full potential cannot be realized with a resolution lower than UHD.

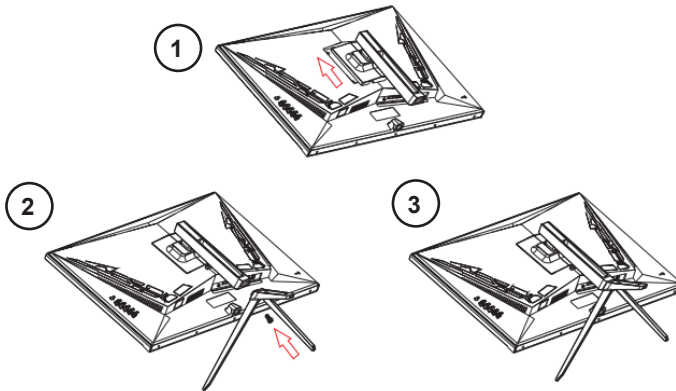
QUICK START GUIDE

Installation

Attention :

* Please note that the panel should be handled with care. Please be careful not to push down on the LCD surface with your fingers or any other object from above, as there is a risk of damaging the panel

1. Place the monitor screen gently on a soft cloth placed on a flat and stable surface with the monitor face down.
2. Insert the top part of the stand into the stand attachment part on the back of the monitor.
3. Attach the feet to the support column using the included screws.
4. Check that the monitor and stand are securely fixed.



* Supports tilt adjustment. Please be careful to prevent the monitor from falling when tilting the screen forward.

Connecting to a Computer

1. Make sure the power of the monitor and computer is off before connecting the cable.
2. Attach the power cable or corresponding cable (HDMI, DP) to the monitor.
Also attach the cable (HDMI, DP) to the computer.
3. Turn on the power of the monitor and computer.

Warning : To work safely, always connect the grounding before connecting the power plug to the power source (only if a ground link is provided). In addition, if you disconnect the ground connection, always unplug the power plug from the electrical outlet before doing so.

Attention : There may be malfunctions if you connect both HDMI and DP cables at the same time. Please only connect one cable to one computer.

CONTENTS OF THE PACKAGE



Manual



Warranty



Power
cable



Power
adaptor



HDMI
cable



DP
cable



Remote control



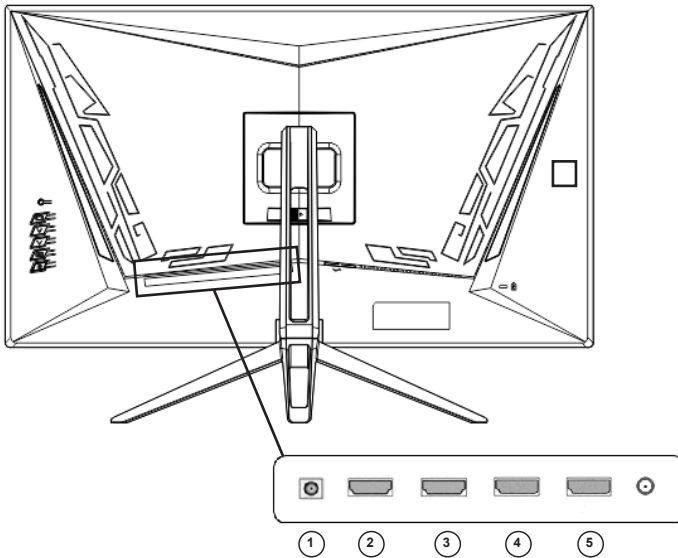
VESA
spacer

*The warranty certificate may be included with the manual.

*The included power cable is for use only with this product. Do not use it with other devices.

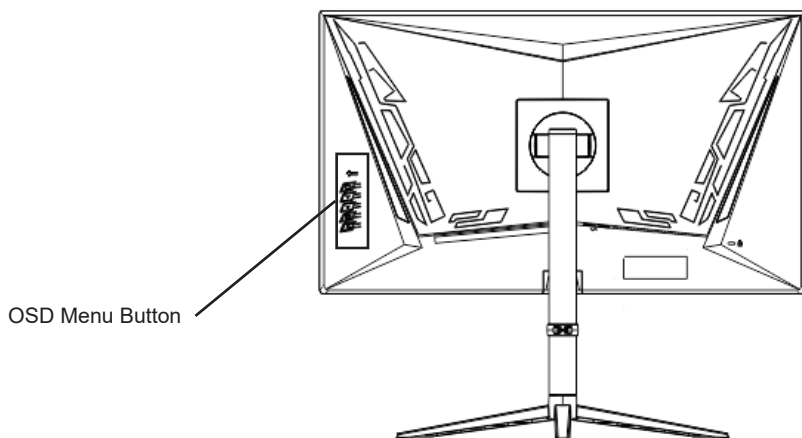
CONNECTORS

Rear of the monitor









- 1: Power plug:** Please connect the power adapter to use.
- 2: HDMI port:** This is an HDMI 2.0 (3840x2160@60Hz) compatible port.
- 3: HDMI port:** This is an HDMI 2.1 (3840x2160@120Hz) compatible port.
- 4: DP port:** This is a DP 1.4 (3840x2160@144Hz) compatible port.
- 5: DP port:** This is a DP 1.4 (3840x2160@144Hz) compatible port.
- 6: Audio output port:** Connect headphones or speakers for use.







EXPLANATION OF DISPLAY BUTTONS



When the OSD menu is not open

	Display target.
	Open source input selection screen.
	Open game menu (target/timer/refresh rate display).
	Display brightness settings.
	Open screen (OSD) menu.
	Power on/off.

When the OSD menu is open

	Display target.
	Go back or close the menu.
	Press to move up the menu or increase the value of the selected item.
	Press to move down the menu or decrease the value of the selected item.
	Select or confirm the menu item.
	Power on/off.

OSD MENU


MENU	FUNCTION	ADJUSTABLE VALUE	COMMENT	
BRI/CONTRAST	Brightness	0-100	Brightness adjustment	
	Contrast	0-100	Contrast adjustment	
	Picture Mode	Standard		Picture mode selection
		Eye Protect		
		Movie		
		RTS		
		FPS		
	Game			
DCR	On/Off	DCR settings		
Color Gammut	Off		Color range selection	
	sRGB			
	DCI-P3			
Energy Save	On/Off	Energy settings		
IMAGE ADJUST	Black Level	0-20	Black level adjustment	
	Sharpness	0-4	Sharpness level adjustment	
	Saturation	0-100	Saturation adjustment	
	RGB light	On/Off		
	HDR	Off/Auto/HDR2084	HDR mode adjustment	
COLOR TEMPERATURE	Color Mode	Cool/Normal/Warm/User	Color mode adjustment	
	Red	0-100	Set Red light level adjustment	
	Green	0-100	Set Green light level adjustment	
	Blue	0-100	Set Blue light level adjustment	
	Low Blue Light	Off/Low/Middle/High	Blue light filter level settings	
OSD SETTING	Language	English/日本語/Other languages	OSD Language selection	
	OSDH-Position	0-100	OSD horizontal position adjustment	
	OSDV-Position	0-100	OSD Vertical position adjustment	
	OSD Time Out	10-60	OSD display time settings	
	OSD Transparency	0-100	OSD transparency adjustment	
	Aspect Ratio	Full/4:3/16:9	Image ratio selection	
MULTI-WINDOW SETTING	Reset		Reset settings to factory defaults	
	Multi Window	Off/PIPMode/PBPMODE	Multi-Window mode selection	
	Sub Win1 Select	DP1(1.4)/DP2(1.4)/HDMI1(2.1)/HDMI(2	Sub window 1 source input selection	
	Sub Win2 Select	DP1(1.4)/DP2(1.4)/HDMI1(2.1)/HDMI(2	Sub window 2 source input selection	
	Audio source Select	DP1(1.4)/DP2(1.4)/HDMI1(2.1)/HDMI(2	Audio source input selection	
	PIP Sub position	TopLeft/TopRight/BottomLeft/BottomR ight	Sub window position setting	
OTHER	Source Input	DP1(1.4)	Input source selection	
		DP2(1.4)		
		HDMI1(2.1)		
		HDMI2(2.0)		
	Over Drive	On/Off	Overdrive settings	
	Volume	0-100	Volume level adjustment	
	Mute	On/Off	Switch mute On/Off	
	FreeSync/VRR	On/Off	Switch FreeSync/VRR On/Off	
MPRT	On/Off	Switch MPRT On/Off		

* Please note that the design, specifications, and appearance of the product may be subject to change without prior notice for product improvement purposes.

* In case the information provided differs from the actual product, the actual product shall take precedence.

REMOTE



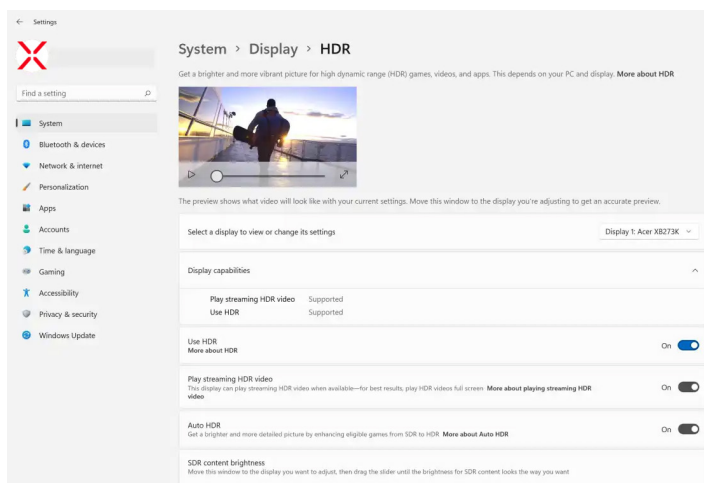
	Power on/off.
SOURCE	Open source input selection screen.
SCALE	Open aspect ratio selection screen.
UP ▲	Display brightness settings. Move the menu up or increase the value of the selected item.
DOWN ▼	Game Cross. Move the menu down or decrease the value of the selected item.
- ◀	Display volume setting.
+ ▶	Game Menu.
OK	Select and confirm menu item.
F1	Over Drive.
P	Open picture mode selection screen.
F2	Open blue light reduction settings screen.
MENU	Open screen (OSD) menu.
EXIT	Return to previous menu or close menu.
MUTE	Turn mute on/off.

ABOUT JAPANNEXT HDR10

HDR stands for High Dynamic Range, which is a display technology that can express a wider range of brightness than the conventional SDR (Standard Dynamic Range).

By setting the HDR MODE in the screen (OSD) menu to AUTO, if the player and content are compatible, the monitor will automatically enable the HDR function.

Depending on the Windows 10 settings, HDR may not be displayed properly. Please check the on/off settings for HDR in Windows 10 properly. Please check the settings for HDR in Windows 10.



How to open the settings screen: [Settings] > [System] > [Display] > [HDR]

HDR function is only available for HDR content

If you turn on the HDR setting in Windows 10, the desktop display may appear darker than when in Standard Dynamic Range (SDR) mode.

This is because the monitor's interpretation of HDR and SDR signals differs, and is not a malfunction.

Please turn off the HDR function for normal PC use.

Depending on the specifications of your graphics card, the monitor's HDR functionality may not display photos and text correctly when turned on.

Note: To enable the HDR function, the connected device and content must be HDR compatible.

Note: Even in Windows 10 Fall Creators Update (version 1709), the Windows HDR settings will not be displayed if the graphics card does not support HDR.

FAQ

Symptoms	Checkpoints
Power LED does not turn ON	<ul style="list-style-type: none"> • Have you turned on the power by pressing the power button on the monitor? • Check if the power cord is properly connected to the monitor and the power outlet.
Power LED is on, but there is no image	<ul style="list-style-type: none"> • Is a blank screen saver running? Move the mouse or keyboard. • Check that the brightness and contrast are not set to the minimum. • Confirm that the signal cable is properly connected to the monitor and the computer. • Check that the pins on the signal cable are not bent or that the cable is not damaged. • Is the computer turned on? If you have another monitor, try connecting it to see if the computer is working properly. • Is the computer's signal timing compatible with the monitor's specifications? • Some models may not be compatible with this product. • The cable may not be compatible. Please check with the cable manufacturer you are using.
The image is distorted or there are wave patterns in the video	<ul style="list-style-type: none"> • Confirm that the signal cable is properly connected to the monitor and the computer. • Move any electrical equipment that may be causing electrical interference away from the monitor. • Is the voltage normal? → Please avoid using octopus wiring. • Is the computer's signal timing compatible with the monitor's specifications?
The video position is shifted The video size does not match	<ul style="list-style-type: none"> • Is the computer's resolution set correctly? • Is the computer's signal timing compatible with the monitor's specifications?
The screen is too bright / too dark	<ul style="list-style-type: none"> • Adjust the brightness and contrast settings from the screen (OSD) menu.
The video is blurry or unclear	<ul style="list-style-type: none"> • Set the display resolution on the PC to the native resolution of the monitor's recommended screen mode. • Is the computer's signal timing compatible with the monitor's specifications? • Check that the pins on the signal cable are not bent or that the cable is not damaged.
The video color is off	<ul style="list-style-type: none"> • Check that the pins on the signal cable are not bent or that the cable is not damaged. • Adjust the red/blue/green color settings from the screen (OSD) menu (color temperature). • Reset the settings from the screen (OSD) menu. • Is the computer's signal timing compatible with the monitor's specifications?
Cannot display UHD	<ul style="list-style-type: none"> • This product supports a maximum resolution of 3840x2160 (UHD) including HDMI and DP. However, some graphics cards may not support 3840x2160. For hardware limitations on your computer, please contact your nearest dealer or manufacturer.
Abnormal noise	<ul style="list-style-type: none"> • Is the cable correctly connected?
About MPRT	<ul style="list-style-type: none"> • When MPRT function is turned ON, FreeSync and brightness adjustment cannot be used. • MPRT function is available with a refresh rate of 100Hz or higher. • When MPRT function is turned ON, the screen brightness will be slightly dimmer.

TECHNICAL SPECIFICATION

LCD PANEL	Panel type	IPS
	Size	28"
	Backlight	LED
	Brightness (Typical)	400cd/m2
	Contrast	1000:1
	Dynamic Contrast Ratio (DCR)	YES
	Pixel Pitch (mm)	0.161mm
	Resolution (H×V)	3840x2160
	Aspect Ratio	16:9
	Response Time	1ms (MPRT)
	View Angles (CR>10)	H:178° V:178°
	Panel Surface	Matte
Display Colors	16.77 million colors	
Functions	Flicker Free	YES
	Blue light reduction mode	YES
	HDCP	YES 2.2
	HDR10	YES
Interface and Max Resolution /Refresh Rate	HDMI 1	3840x2160@120Hz
	HDMI 2	3840x2160@60Hz
	DP 1(1.4)	3840x2160@144Hz
	DP 1(1.4)	3840x2160@144Hz
Audio	Earphones	YES
	Speakers (Typical)	2Wx2
Power	Power Consumption (W)	Max ≤ 51 / Standard ≤ 32 / Energy Saving ≤ 26W /Standby ≤ 0,5
Operating /Condition	Temperature (°C)	0~50
	Humidity (%)	10 ~ 90
Physical	Dimensions	638x452x238 (width x height x depth mm)
	Packaging Dimension	702x442x168 (width x height x depth mm)
	Weight Net (kg)	5
	Weight Gross (kg)	6.5
	Tilt Function	-5° / +15°
	Kensington	YES
	AC Power Range	AC 100-240V 50/60Hz / To DC 24V 2.5A
	VESA Mount (mm)	100x100mm
Accessories		DP Cable, HDMI Cable, Remote Control, Manual

*Please note that the design, specifications, and appearance of the product may be changed without notice for product improvement.

*If there is a discrepancy between the information provided and the actual product, the actual product will take precedence.

JAPANNEXT CUSTOMER SUPPORT

mail: europa-cs@japannext.eu

JAPANNEXT EUROPE SAS
122 Avenue Charles de Gaulle
92200 Neuilly-sur-Seine

INSTRUCTIONS DE SÉCURITÉ

Veillez vous assurer de lire attentivement toutes les instructions et les manuels inclus avant utilisation.

Attention

- Placez le moniteur sur une surface stable et plate et évitez de l'exposer à des températures élevées ou basses, à l'humidité ou à la poussière pour éviter les risques d'incendie ou de choc électrique.
- Ne pas utiliser le moniteur dans un endroit où de l'eau ou de l'humidité est présente, car cela pourrait entraîner des blessures graves ou causer un incendie.
- Ne pas tenter d'ouvrir le boîtier du moniteur, car il y a des pièces à haute tension à l'intérieur qui pourraient être dangereuses ou causer un incendie.
- Si l'unité d'alimentation électrique est endommagée, contactez notre centre de service ou le détaillant au lieu de tenter de l'inspecter ou de la réparer vous-même.
- Avant utilisation, assurez-vous que tous les câbles sont correctement connectés et que le cordon d'alimentation n'est pas endommagé. Si des dommages ou des problèmes sont constatés, contactez immédiatement le détaillant.
- Les fentes et les ouvertures étroites sur le dessus ou à l'arrière du boîtier sont nécessaires pour la ventilation. Ne bloquez pas ces trous. Assurez-vous également de ne pas placer le moniteur près d'une source de chaleur, telle qu'un radiateur, sans une ventilation adéquate.
- Ne pas insérer d'objets étrangers ou verser de liquides dans les ouvertures du boîtier du moniteur, car cela peut causer des dommages ou des dysfonctionnements.
- Utilisez uniquement le type d'alimentation indiqué sur l'étiquette du produit lors de l'utilisation du moniteur. Si vous n'êtes pas sûr du type d'alimentation électrique dans votre région, contactez votre compagnie d'électricité locale.
- Ne surchargez pas les multiprises ou les rallonges avec un courant excessif. La surcharge peut entraîner un choc électrique et est extrêmement dangereuse.
- Pour protéger le moniteur contre les dommages causés par les surtensions électriques, débranchez le cordon d'alimentation de l'appareil pendant les périodes prolongées de non-utilisation ou pendant les orages.
- Pour une performance optimale, utilisez ce produit avec un ordinateur qui possède une prise correctement configurée et qui se situe dans la plage AC100-240V.
- Si vous rencontrez des problèmes techniques ou avez des questions sur le moniteur, veuillez contacter un technicien de service autorisé ou un détaillant.
- Pour un fonctionnement sûr, connectez toujours le fil de mise à la terre avant de brancher le cordon d'alimentation dans la prise. Et lorsque vous retirez le fil de mise à la terre, assurez-vous de débrancher d'abord le cordon d'alimentation.
- Ce produit n'est pas conçu pour une utilisation continue de 24 heures. Ne pas utiliser le produit en continu pendant 24 heures. Lorsqu'il n'est pas utilisé pendant une longue période, débranchez la fiche d'alimentation.
- Utilisez exclusivement le cordon d'alimentation fourni avec ce produit.

Note

- Lors du nettoyage du moniteur, n'utilisez pas de nettoyeurs ou de détergents contenant de l'alcool ou de l'acétone. Assurez-vous d'utiliser un nettoyeur spécifique pour les écrans LCD. Ne vaporisez pas directement de nettoyeurs liquides sur l'écran. Soyez prudent car il y a un risque de choc électrique ou d'incendie si le liquide de nettoyage s'écoule à l'intérieur du moniteur. Ne frottez pas le panneau LCD avec des objets durs car il est facilement endommageable.
- Lorsque vous soulevez ou déplacez le moniteur, assurez-vous de couper l'interrupteur d'alimentation et de débrancher tous les câbles et cordons d'alimentation au préalable. Lors de l'installation du moniteur, soulevez-le correctement. Lorsque vous soulevez ou transportez le moniteur, tenez le bord de l'unité principale. Ne soulevez jamais le moniteur avec le pied ou câble.

Veillez prendre soin de vos yeux lors de l'utilisation.

- L'utilisation dans une pièce sombre ou pendant de longues périodes peut fatiguer vos yeux.
- Prenez une pause de 5 à 10 minutes toutes les heures et utilisez-le dans une pièce modérément éclairée.

NETTOYAGE ET PRÉCAUTIONS

- Avant de nettoyer ce produit, éteignez l'interrupteur d'alimentation et débranchez tous les câbles et cordons d'alimentation..

Maintenance

- Panneau LCD : essayez délicatement avec un chiffon doux et propre spécialement conçu pour les panneaux LCD. N'utilisez pas de papier de soie. Pour la saleté tenace, utilisez un chiffon doux légèrement humidifié avec un nettoyant neutre spécialement conçu pour les panneaux LCD.
- Cabinet ? Boîtier ? : essayez avec un chiffon doux humidifié avec un nettoyant neutre.

Les symptômes suivants sont normaux pour le moniteur :

- Au cours de l'utilisation initiale, il peut y avoir des scintillements à l'écran en raison de la nature du rétroéclairage. Si cela se produit, éteignez l'alimentation et rallumez-la pour confirmer.
- En fonction du motif de bureau ou de la couleur et de la luminosité affichées, il peut y avoir une luminosité inégale.
- Il peut y avoir quelques pixels constamment allumés ou éteints.
- Si la même image est affichée pendant une longue période, il peut y avoir des images résiduelles même après avoir basculé vers une autre image. L'écran récupérera lentement ou la mise hors tension pendant quelques heures peut également résoudre le problème.
- En fonction de votre ordinateur, l'image peut apparaître décalée. Ajustez la position de l'écran à partir du menu OSD (affichage à l'écran) (pour le port VGA uniquement).
- Si l'écran clignote, devient complètement noir ou cesse de fonctionner, ne tentez pas de le réparer vous-même. Contactez le centre de service ou le détaillant pour demander des réparations.

BIENVENUE !

Nous vous remercions d'avoir acheté le moniteur LCD large de 28 pouces de JAPANNEXT. Le panneau installé prend en charge la résolution UHD (3840 x 2160).

Nous vous recommandons de l'utiliser à la résolution UHD pour exploiter pleinement ses capacités. Le plein potentiel ne peut pas être réalisé avec une résolution inférieure à UHD.

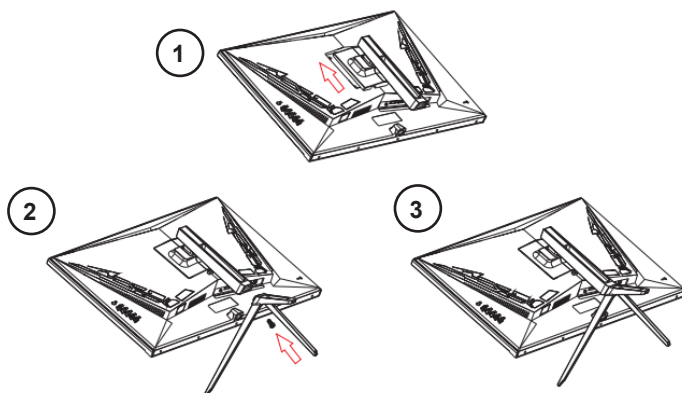
GUIDE DE DÉMARRAGE RAPIDE

Installation

Attention :

- * Veuillez manipuler le panneau avec précaution. Si vous appuyez sur la surface LCD depuis le haut avec vos doigts ou autres, le panneau peut être endommagé. Veuillez faire attention lors de la manipulation.

1. Placez doucement l'écran du moniteur sur un tissu doux placé sur une surface plane et stable avec la face du moniteur vers le bas.
2. Insérez la partie supérieure du support dans la partie de montage du support située à l'arrière du moniteur.
3. Fixez les pieds sur la colonne du support avec les vis fournies.
4. Vérifiez que le moniteur et le support sont solidement fixés.



- * Prend en charge le réglage de l'inclinaison. Veuillez faire attention pour éviter que le moniteur ne tombe lorsque vous inclinez l'écran vers l'avant.

Connexion à un ordinateur

1. Vérifiez que l'alimentation du moniteur et de l'ordinateur est éteinte avant de connecter le câble.
2. Fixez le câble d'alimentation ou le câble correspondant (HDMI, DP) au moniteur. Fixez également le câble (HDMI, DP) à l'ordinateur.
3. Allumez l'alimentation du moniteur et de l'ordinateur.

Attention : Pour travailler en toute sécurité, connectez toujours la prise de terre avant de connecter la fiche d'alimentation à la source d'alimentation (uniquement si une liaison de terre est fournie). De plus, si vous débranchez la connexion à la terre, débranchez toujours la fiche d'alimentation de la prise électrique avant de le faire.

Attention : Il peut y avoir des dysfonctionnements si vous connectez simultanément les câbles HDMI et DP. Veuillez ne connecter qu'un seul câble à un ordinateur.

CONTENU DE L'EMBALLAGE



Manuel



Garantie



Câble
d'alimentation



Adaptateur
d'alimentation



Câble
HDMI



Câble
DP



Télécommande



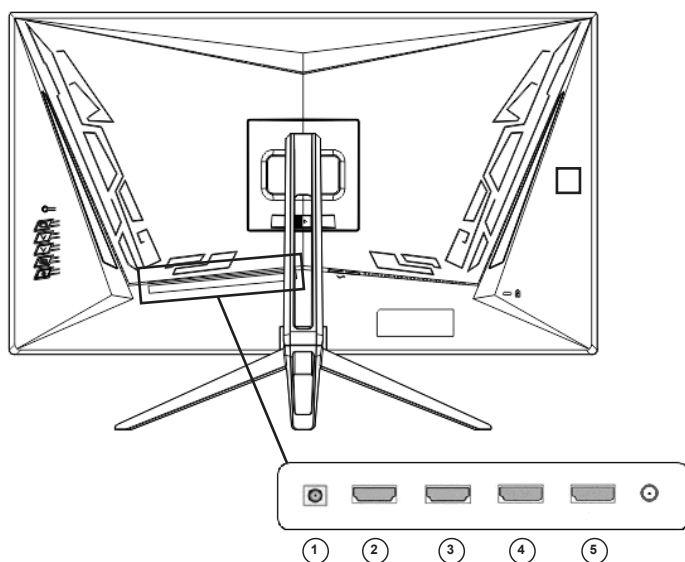
Entretoises
VESA

* Le certificat de garantie peut être inclus avec le manuel.

* Le câble d'alimentation fourni est uniquement destiné à ce produit.
Ne l'utilisez pas avec d'autres équipements.

CONNECTEURS

Arrière du moniteur



1/ Fiche d'alimentation: Veuillez connecter l'adaptateur secteur pour utiliser.

2/ Port HDMI: Il s'agit d'un port compatible HDMI 2.0 (3840x2160@60Hz).

3/ Port HDMI: Il s'agit d'un port compatible HDMI 2.1 (3840x2160@120Hz).

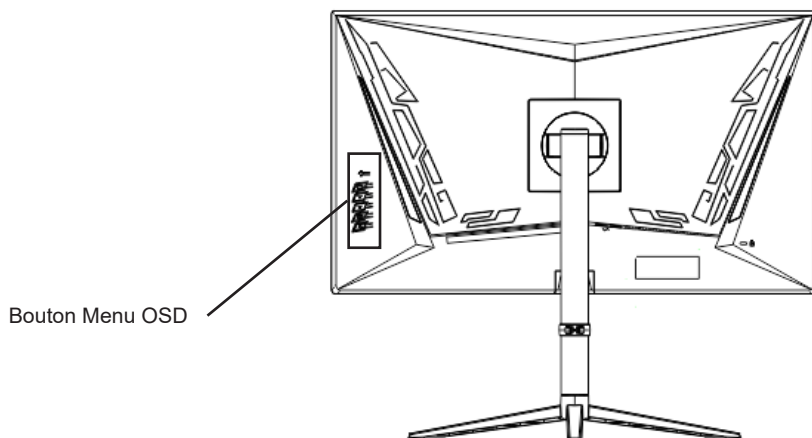
4/ Port DP: Il s'agit d'un port compatible DP 1.4 (3840x2160@144Hz).

5/ Port DP: Il s'agit d'un port compatible DP 1.4 (3840x2160@144Hz).







6/ Port de sortie audio: Veuillez connecter des écouteurs ou des haut-parleurs pour utiliser.

EXPLICATION DES BOUTONS D’AFFICHAGE







Panneau avant du moniteur



Lorsque le menu de l'écran (OSD) n'est pas ouvert

	Afficher la cible.
	Ouvrir l'écran de sélection d'entrée de source.
	Ouvrir le menu de jeu (affichage de la cible / minuteur / taux de rafraîchissement).
	Afficher les paramètres de luminosité.
	Ouvrir le menu de l'écran (OSD).
	Allumer / éteindre l'alimentation.

Opérations en cours d'affichage du menu de l'écran (OSD)

	Afficher la cible.
	Revenir ou fermer le menu.
	Déplacer le menu vers le haut ou augmenter la valeur de l'élément sélectionné.
	Déplacer le menu vers le bas ou diminuer la valeur de l'élément sélectionné.
	Sélectionner et confirmer l'élément de menu.
	Allumer / éteindre l'alimentation.

MENU OSD


MENU	FUNCTION	ADJUSTABLE VALUE	COMMENT	
Lum./Contrast	Luminosité	0-100	Ajustement de la luminosité	
	Contraste	0-100	Ajustement du contraste	
	Mode d'image	Standard		Sélection du mode de l'image
		Protection des yeux		
		Cinéma		
		RTS		
		FPS		
	Jeu Vidéo			
	DCR	Activé/Désactivé		Paramètres DCR
	Spectre coul.	Désactivé		Sélection du spectre des couleurs
sRGB				
DCI-P3				
ECO	On/Off		Paramètre de consommation énergétique	
Image	Niveau de noir	0-20	Ajustement du niveau de noir	
	Netteté	0-4	Ajustement de la netteté	
	Saturation	0-100	Ajustement de la Saturation	
	RGB light	On/Off	Activer ou désactiver les LED RGB	
	HDR	Off/Auto/HDR2084		Sélection du mode HDR
Température coul.	Couleur	Froid/Normal/Chaud/Utilisateur	Ajustement de la température de l'image	
	Rouge	0-100	Ajustement du niveau de rouge	
	Vert	0-100	Ajustement du niveau de vert	
	Bleu	0-100	Ajustement du niveau de bleu	
	Filtre lumière bleue	Off/Low/Middle/High		Filtre de la lumière bleue
Configue OSD	Langue	English/日本語/Français	Sélectionner la langue de l'OSD	
	OSD Position-H	0-100	Ajustement de la position horizontale de l'OSD	
	OSD Position-V	0-100	Ajustement de la position Verticale de l'OSD	
	Durée OSD	10-60	Ajustement de la durée d'affichage de l'OSD	
	Transparence OSD	0-100	Ajustement du niveau de transparence de l'OSD	
	Aspect Ratio	Plein/4:3/16:9		Sélection du ratio de l'image
Reinit.	Reinitialiser		Réinitialisation des paramètres en mode usine	
	Multi-Fenêtre	Off/PIPMode/PBPMMode	Paramètres du mode Multi-fenêtre	
	Source Fenêtre1	DP1(1.4)/DP2(1.4)/HDMI1(2.1)/HDMI(2.0)	Sélection de la source de la fenêtre 1	
	Source Fenêtre2	DP1(1.4)/DP2(1.4)/HDMI1(2.1)/HDMI(2.0)	Sélection de la source de la fenêtre 2	
	Source Audio	DP1(1.4)/DP2(1.4)/HDMI1(2.1)/HDMI(2.0)	Sélection de la source audio	
	Position PIP	Haut Gauche/Haut Droit/Bas Gauche/Bas Droit	Ajustement de la position de la fenêtre intérieure	
Autres	Source Entrée	DP1(1.4)	Sélection de la source d'entrée	
		DP2(1.4)		
		HDMI1(2.1)		
		HDMI2(2.0)		
	Mode Haute performance	On/Off	Activer ou désactiver le mode haute performance	
	Volume	0-100	Ajustement du volume	
	Muet	On/Off	Activer ou désactiver le son	
	FreeSync/VRR	On/Off	Paramètre du FreeSync(Adaptive Sync)	
MPRT	On/Off	Activer ou désactiver le MPRT		

* Veuillez noter que le design, les spécifications et l'apparence du produit peuvent être modifiés sans préavis en raison d'améliorations de produit.

* En cas de différence entre les informations décrites et le produit réel, la priorité sera accordée au produit réel.

TÉLÉCOMMANDE



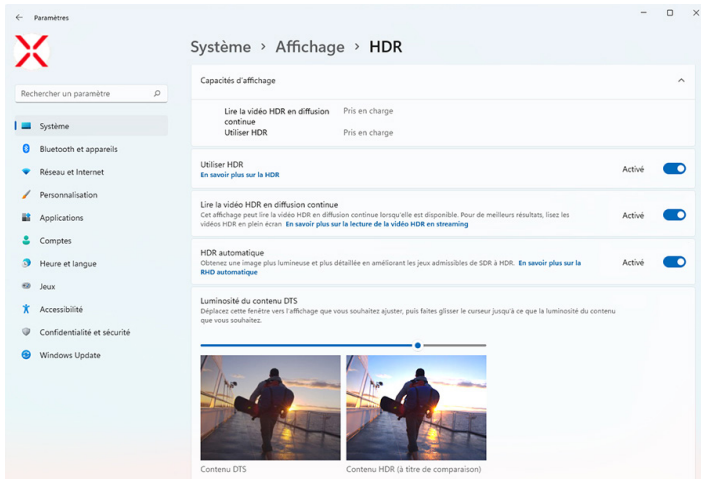
	Allumer/éteindre l'alimentation.
SOURCE	Ouvrir l'écran de sélection d'entrée Source.
SCALE	Ratio d'aspect.
UP ▲	Afficher les paramètres de luminosité. Déplacer le menu vers le haut ou augmenter la valeur de l'élément sélectionné.
DOWN ▼	Game Cross. Déplacer le menu vers le bas ou diminuer la valeur de l'élément sélectionné.
- ◀	Afficher les paramètres de volume.
+ ▶	Game Menu.
OK	Sélectionner et valider l'élément du menu.
F1	Over Drive.
P	Mode image.
F2	Ouvrir l'écran de réglage de la réduction de la lumière bleue.
MENU	Ouvrir le menu de l'écran (OSD).
EXIT	Retour ou fermeture du menu.
MUTE	Activer/désactiver le mode muet.

À PROPOS DU JAPANNEXT HDR10

HDR signifie High Dynamic Range (grande plage dynamique en français). C'est une technologie d'affichage qui permet de représenter une plage de luminosité plus large que la plage dynamique standard traditionnelle (SDR, Standard Dynamic Range).

Si vous réglez le mode HDR de l'écran (OSD) sur AUTO, et que le lecteur et le contenu sont compatibles, le moniteur activera automatiquement la fonction HDR.

Les paramètres de Windows 10 peuvent empêcher l'affichage correct de la fonctionnalité HDR. Veuillez vérifier les paramètres de Windows 10 concernant HDR pour les activer ou les désactiver.



Comment accéder aux paramètres : [Paramètres] > [Système] > [Affichage] > [HDR]

La fonctionnalité HDR n'est active que pour les contenus HDR

Lorsque vous activez les paramètres HDR de Windows 10, l'affichage du bureau peut devenir plus sombre que lorsque vous le configurez en mode plage dynamique standard (SDR). Cela est dû à l'interprétation différente du signal HDR et du signal SDR par le moniteur, et non à une défaillance.

Veuillez désactiver la fonctionnalité HDR pour une utilisation normale de votre PC.

Selon les spécifications de votre carte graphique, il se peut que les photos ou les textes ne soient pas correctement affichés lorsque la fonctionnalité HDR du moniteur est activée.

Note : Pour activer la fonction HDR, les appareils de connexion et les contenus doivent prendre en charge le HDR.

Note : Même avec la mise à jour des créateurs de Windows 10 (version 1709), si la carte graphique ne prend pas en charge le HDR, les paramètres HDR de Windows ne seront pas affichés.

FAQ

Symptômes	Checkpoint
Le voyant d'alimentation ne s'allume pas	<ul style="list-style-type: none"> • Avez-vous appuyé sur le bouton d'alimentation du moniteur et vérifié qu'il est allumé ? • Vérifiez que le cordon d'alimentation est correctement connecté à la fois au moniteur et à la prise électrique.
Le voyant d'alimentation est allumé, mais il n'y a pas d'image	<ul style="list-style-type: none"> • Le mode veille a-t-il été activé ? Bougez la souris ou le clavier pour vérifier. • Veuillez vérifier que la luminosité et le contraste ne sont pas réglés au minimum. • Veuillez vérifier que le câble de signal est correctement connecté au moniteur et à l'ordinateur. • Veuillez vérifier que les broches du câble de signal ne sont pas tordues et que le câble n'est pas endommagé. • L'ordinateur est-il allumé ? Si vous avez un autre moniteur, essayez de le connecter pour vérifier si l'ordinateur fonctionne correctement. • Le signal de synchronisation de l'ordinateur est-il compatible avec les spécifications du moniteur ?
L'image est déformée ou il y a des ondulations dans la vidéo	<ul style="list-style-type: none"> • Veuillez vérifier que le câble de signal est correctement connecté au moniteur et à l'ordinateur. • Éloignez tout appareil électrique qui pourrait causer des interférences électriques avec le moniteur. • Le courant électrique est-il normal ? → Veuillez arrêter les branchements en multiprise • Le signal de synchronisation de l'ordinateur est-il compatible avec les spécifications du moniteur ?
La position de l'image est décalée d'un côté / La taille de l'image est incorrecte	<ul style="list-style-type: none"> • La résolution de l'ordinateur est-elle correcte ? • Le signal de synchronisation de l'ordinateur est-il compatible avec les spécifications du moniteur ?
L'écran est trop lumineux / trop sombre	<ul style="list-style-type: none"> • Veuillez régler la luminosité et le contraste à partir du menu de l'écran (OSD).
La vidéo est floue ou peu claire	<ul style="list-style-type: none"> • Réglez la résolution d'affichage du PC sur le mode de résolution native recommandée pour le moniteur. • Le signal de synchronisation de l'ordinateur est-il compatible avec les spécifications du moniteur ? • Veuillez vérifier que les broches du câble de signal ne sont pas tordues et que le câble n'est pas endommagé.
La couleur de la vidéo est incorrecte	<ul style="list-style-type: none"> • Veuillez vérifier que les broches du câble de signal ne sont pas tordues et que le câble n'est pas endommagé. • Réglez les paramètres de couleur rouge/bleu/vert à partir du menu de l'écran (OSD) de réglage de la température de couleur. • Réinitialisez les paramètres à partir du menu de l'écran (OSD). • Le signal de synchronisation de l'ordinateur est-il compatible avec les spécifications du moniteur ?
Impossible d'afficher le format UHD	<ul style="list-style-type: none"> • Ce produit prend en charge une résolution maximale de 3840 x 2160 (UHD) via HDMI et DP. Cependant, certaines cartes graphiques ne prennent pas en charge cette résolution. Vérifiez auprès de votre revendeur ou fabricant local si votre ordinateur est compatible avec cette résolution.
Bruits sur l'image anormaux	<ul style="list-style-type: none"> • Le câble est-il correctement connecté ?
À propos du MPRT	<ul style="list-style-type: none"> • Si la fonction MPRT est activée, FreeSync et l'ajustement de la luminosité ne sont pas disponibles. • La fonction MPRT est disponible pour les taux de rafraîchissement de 100 Hz ou plus. • L'activation de la fonction MPRT entraîne une légère diminution de la luminosité de l'écran.

SPÉCIFICATIONS TECHNIQUES

Ecran	type de dalle	IPS
	Taille de la dalle	28"
	Eclairage arrière	LED
	Luminosité (typique)	400cd/m2
	Contraste	1000:1
	Taux de contraste dynamique (DCR)	Oui
	Taille des pixel (mm)	0.161mm
	Resolution (HxV)	3840x2160
	Format de l'écran	16:9
	Temps de réponse	1ms (MPRT)
	Angle de vision (CR>10)	H:178° V:178°
	Type de Surface	Mat
Couleurs de l'écran	16,77 millions de couleurs	
Fonctions	Anti scintillement	Oui
	Lumière bleue réduite	Oui
	HDCP	Oui 2.2
	HDR10	Oui
Interface et Résolution Maximale /Taux de rafraichissement	HDMI 1	3840x2160@120Hz
	HDMI 2	3840x2160@60Hz
	DP 1(1.4)	3840x2160@144Hz
	DP 1(1.4)	3840x2160@144Hz
Son	Écouteurs	Oui
	Haut-parleurs (typique)	2Wx2
Alimentation	Consommation (W)	Max ≤ 51 / Normal ≤ 32 / Économie d'énergie ≤ 26W / Veille ≤ 0,5
Condition de fonctionnement	Température de fonctionnement (°C)	0~50
	Humidité (%)	10 ~ 90
Caractéristiques physiques	Dimensions du produit	638x452x238 (largeur x hauteur x profondeur en mm)
	Dimensions de l'emballage	702x442x168 (largeur x hauteur x profondeur en mm)
	Poids net (kg)	5
	Poids brut (kg)	6.5
	Plage d'inclinaison	-5° / +15°
	Kensington	Oui
	Plage de puissance AC	AC 100-240V 50/60Hz / To DC 24V 2.5A
Support VESA (mm)	100x100mm	
Accessoires		Câble DP, câble HDMI, télécommande, manuel

*Veuillez noter que le design, les spécifications et l'apparence du produit peuvent être modifiés sans préavis pour amélioration du produit.

*Si une différence existe entre les informations fournies et le produit réel, le produit réel aura la priorité.

ASSISTANCE CLIENTÈLE JAPANNEXT

mail: europa-cs@japannext.eu

JAPANNEXT EUROPE SAS
122 Avenue Charles de Gaulle
92200 Neuilly-sur-Seine