

# JAPANNEXT

**28-inch wide UHD 60Hz  
LED LCD Monitor**

## **JN-IPS2802UHDR**



EUROPE [eu.japannext.com](http://eu.japannext.com)

JAPAN [jp.japannext.com](http://jp.japannext.com)

### **ENG** User Manual

Take a few minutes to read carefully this brief manual before switching your new JAPANNEXT monitor ON. Keep this manual in a safe place for future reference.

### **FR** Manuel de l'utilisateur

Ce manuel de l'utilisateur contient les informations nécessaires à l'utilisation de votre moniteur, prenez le temps de le lire, avant d'utiliser votre moniteur JAPANNEXT. Veuillez conserver ce manuel dans un endroit sûr pour toute référence ultérieure.



# TABLE OF CONTENTS / TABLE DES MATIERES

## ENGLISH

SAFETY PRECAUTIONS .....	4
ABOUT CLEANING AND PRECAUTIONS .....	5
WELCOME ! .....	5
QUICK START GUIDE .....	6
QUICK START GUIDE (CONTINUED).....	7
CONTENTS OF THE PACKAGE .....	8
CONNECTORS .....	8
EXPLANATION OF DISPLAY BUTTONS .....	9
OSD MENU .....	10
ABOUT HDR .....	11
FAQ .....	12
TECHNICAL SPECIFICATION .....	13
JAPANNEXT CUSTOMER SUPPORT .....	14

## FRANÇAIS

INSTRUCTIONS DE SÉCURITÉ.....	16
NETTOYAGE ET PRÉCAUTIONS .....	17
BIENVENUE ! .....	17
GUIDE DE DÉMARRAGE RAPIDE .....	18
GUIDE DE DÉMARRAGE RAPIDE (SUITE) .....	19
CONTENU DE L'EMBALLAGE .....	20
CONNECTEURS .....	20
EXPLICATION DES BOUTONS D'AFFICHAGE .....	21
MENU OSD .....	22
À PROPOS DU HDR .....	23
FAQ .....	24
SPÉCIFICATIONS TECHNIQUES .....	25
ASSISTANCE CLIENTÈLE JAPANNEXT .....	26

**ENG** For quality improvement we reserve the right to change this manual content or product specifications without notice. JAPANNEXT Corp. owns trademarks of this manual.

**FR** Nous nous réservons le droit de modifier le contenu de ce manuel, ou les caractéristiques de nos produits sans préavis à des fins d'amélioration de la qualité. JAPANNEXT Corp. détient les droits d'auteur de ce manuel.

# SAFETY PRECAUTIONS

Please be sure to read all the included instructions and manuals carefully before using.

## Warning

- Place the monitor on a stable, flat surface and avoid exposing it to high or low temperatures, humidity, or dust to prevent the risk of fire or electric shock.
- Do not use the monitor in a location where water or moisture is present, as this could result in serious injury or cause a fire.
- Do not attempt to open the cabinet of the monitor, as there are high voltage parts inside that could be dangerous or cause a fire.
- If the power supply unit becomes damaged, contact our service center or the retailer instead of attempting to inspect or repair it yourself.
- Before use, ensure that all cables are properly connected, and the power cord is not damaged. If any damage or issues are found, contact the retailer immediately.
- The narrow slots and openings on the top or back of the cabinet are necessary for ventilation. Do not block these holes. Also, be sure not to place the monitor near or on a heat source, such as a heater, without proper ventilation.
- Do not insert foreign objects or spill liquids into the openings of the monitor's cabinet, as this may cause damage or malfunctions.
- Use only the type of power supply indicated on the label of the product when operating the monitor. If you are unsure of the power supply type in your area, contact your local power company.
- Do not overload power strips or extension cords with excessive current. Overloading can result in electric shock and is extremely dangerous.
- To protect the monitor from damage caused by power surges, unplug the device's power cord during extended periods of non-use or during thunderstorms.
- For optimal performance, use this product with a PC that has a properly configured socket and falls within the AC100-240V range.
- If you experience any technical issues or have any questions about the monitor, please contact an authorized service technician or retailer.
- For safe operation, always connect the grounding wire before plugging the power cord into the outlet. And when removing the grounding wire, be sure to unplug the power cord first.
- This product is not designed for continuous use for 24 hours. Do not use the product continuously for 24 hours. When not in use for a long time, unplug the power plug.
- The included power cord is for this product only. Do not use it with other equipment.

## Note

- When cleaning the monitor, do not use cleaners or detergents containing alcohol or acetone. Be sure to use a liquid crystal monitor-specific cleaner. Do not directly spray liquid cleaners onto the screen. Please be careful as there is a risk of electric shock or fire if the cleaner liquid drips into the monitor interior. Do not rub the LCD panel with hard objects as it is easily damaged.
- When lifting or moving the monitor, be sure to turn off the power switch and unplug all cables and power cords in advance. When setting up the monitor, lift it correctly. When lifting or transporting the monitor, hold the edge of the main unit. Never lift the monitor with the stand or cable.

### **Please take care of your eyes when using**

- Using in a dark room or for long periods of time can strain your eyes.
- Take a 5-10 minute break every hour and use in a moderately lit room.

## **ABOUT CLEANING AND PRECAUTIONS**

- Before cleaning this product, turn off the power switch and unplug all cables and power cords.

### **Maintenance Method**

- LCD panel: Gently wipe with a clean, soft cloth specifically for LCD panels. Do not use tissue paper. For hard-to-remove dirt, use a soft cloth slightly dampened with a neutral cleaner specifically for LCD panels.
- Cabinet: Wipe with a soft cloth dampened with a neutral cleaner.

### **The following symptoms are normal for the monitor:**

- During initial use, there may be screen flickering due to the nature of the backlight. If this occurs, turn off the power and turn it back on again to confirm.
- Depending on the desktop pattern or displayed color and brightness, there may be uneven brightness.
- There may be a few pixels that are constantly lit or not lit.
- If the same image is displayed for a long time, there may be residual images even after switching to a different image. The screen will slowly recover, or turning off the power for a few hours can also fix this.
- Depending on your computer, the image may appear shifted. Adjust the screen position from the OSD (on-screen display) menu (for VGA port only).
- If the screen flashes, goes completely black, or stops working, do not attempt to repair it yourself. Contact the service center or retailer to request repairs.

## **WELCOME !**

Thank you for purchasing the JAPANNEXT 28-inch wide LCD monitor. The panel supports UHD (3840X2160) resolution.

We recommend using it at UHD resolution to fully utilize its capabilities. Its full performance cannot be achieved with resolutions lower than UHD.

# QUICK START GUIDE

## Installation

### Attention :

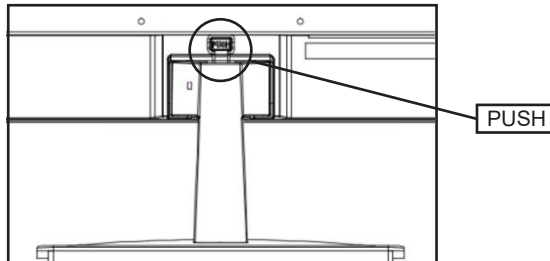
- \* Please note that the panel should be handled with care. Please be careful not to push down on the LCD surface with your fingers or any other object from above, as there is a risk of damaging the panel
- \* When installing, please be sure to handle the screws carefully to avoid dropping them.

1. Place the stand base on a flat and stable surface.
  2. Slowly lift the monitor and insert the support column into the stand base until you hear a click.
  3. Confirm that the monitor and stand are firmly secured.
- \* Forcing the stand on the back may cause damage.
  - \* It supports tilt adjustment. Please be careful not to tip over the monitor when tilting it towards you.



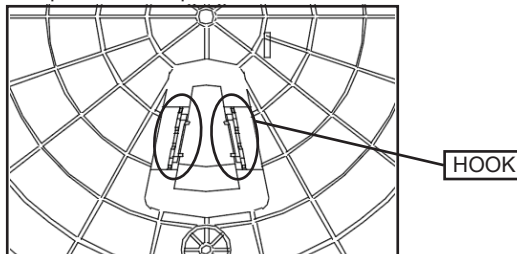
### How to remove the support column

While pressing [PUSH], pull out the support column.



### How to remove the stand base

Grasp the tab and pull out the stand base.



- \* As it may be difficult to remove, please be careful not to injure yourself while working.

# QUICK START GUIDE (CONTINUED)

## Connecting to a Computer

1. Make sure that the power of the monitor and computer is turned OFF before connecting the cable.
2. Attach the cable (HDMI, DP) that is compatible with the monitor to the monitor.  
Attach the same cable to the computer.
3. Turn ON the power of the monitor and computer.

**Warning:** To work safely, always connect the ground wire before plugging in the power plug. (Only if there is a ground link). Also, when disconnecting the ground connection, always unplug the power plug from the outlet first.

**Note:** HDMI, DP cables should not be connected simultaneously, as this may cause malfunctions. Please connect only one cable to one computer.

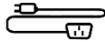
## CONTENTS OF THE PACKAGE



Manual



Warranty  
card



Power  
cable



Power  
adapter



HDMI cable

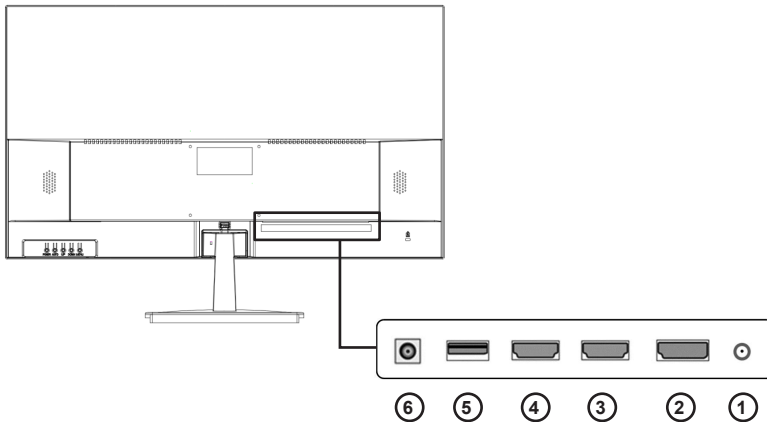


VESA mounting  
screws x4  
(M4x8mm)

\* The included power cable is only for use with this product.  
Please do not use it with other devices.

## CONNECTORS

### *Rear of the monitor*



**1/ Audio output port:** Please connect headphones or speakers and use it.

**2/ DP port:** It is a DP 1.2 compatible port.

**3/ HDMI 1 port:** It is a HDMI 2.0 compatible port.

**4/ HDMI 2 port:** It is a HDMI 2.0 compatible port.

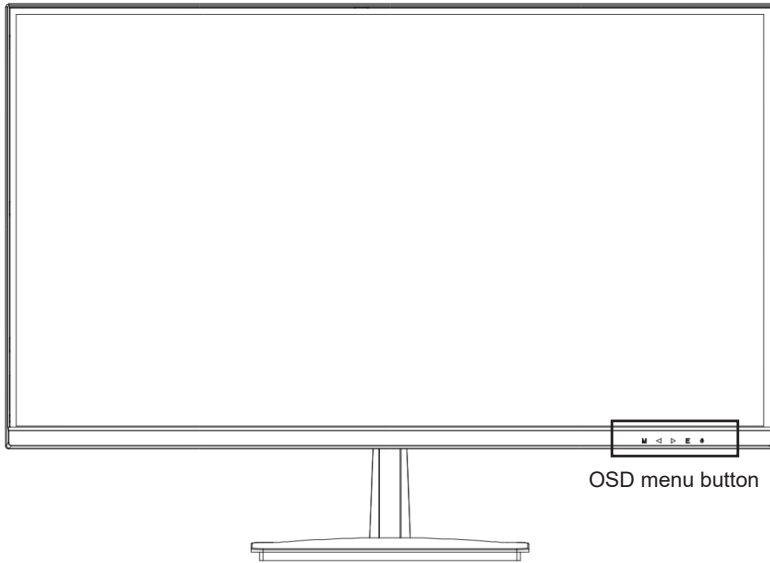
**5/ USB port:** It is a port for firmware updates.

**6/ Power plug:** Please connect the power adapter and use it.



# EXPLANATION OF DISPLAY BUTTONS

## Front panel of the monitor



OSD menu button

## When the OSD menu is not open

M	Displays the OSD menu.
◀	Crosshair (reticle) Press either the M, ◀, or ▶ button to hide the display.
▶	Display volume settings.
E	Displays input source.
⏻	Power On/Off.

## When the OSD menu is open

M	Selects and confirms menu items.
◀	Moves the menu down or decreases the value of the selected item.
▶	Moves the menu up or increases the value of the selected item.
E	Go back or close the menu.
⏻	Power On/Off.

# OSD MENU

MENU	FUNCTION	ADJUSTABLE VALUE	COMMENT
INPUT SOURCE	Auto Source		Input source selection
	DP		
	HDMI1		
	HDMI2		
BRIGHTNESS /CONTRAST	Brightness	0-100	Brightness adjustment
	Contrast	0-100	Contrast adjustment
	DCR	On/Off	DCR settings
	Energy Save	On/Off	Energy settings
COLOR SETTING	Gamma	1.8/2.0/2.2/2.4/2.6	Gamma adjustment
	Picture Mode	Standard	Picture mode selection
		Photo	
		Movie	
		Game	
		FPS	
		RTS	
	Color Temperature	Normal	Color temperature settings
		Warm	
		Cool	
User			
Hue	0-100	Hue adjustment	
Saturation	0-100	Saturation adjustment	
Low Blue Light	0-100	Blue light filter settings	
PICTURE QUALITY SETTING	Sharpness	0-100	Sharpness adjustment
	Response Time	Off/High/Middle/Low	Response speed settings
	Noise Reduction	Off/High/Middle/Low	Noise reduction settings
	Dynamic Luminous Control	On/Off	Dynamic Luminous Control settings
DISPLAY	Aspect Ratio	WideScreen/4:3/1:1/Auto	Image ratio selection
AUDIO	Mute	On/Off	Mute settings
	Volume	0-100	Volume adjustment
	Audio Source	DP/HDMI1/HDMI2	Audio source selection
MULTI-WINDOW	Multi-Window	Off/PIP Mode/PBP 2Win	Multi-Window settings
	Sub Win2 Input	DP/HDMI1/HDMI2	Window2 source selection
	PIP Size	Small/Medium/Large	Subwindow size selection
	PIP Position	TopLeft/BottomLeft/TopRight /BottomRight	Subwindow position selection
	Swap		Swap between sub and main window
OSD	Language	English/日本語/Français	OSD Language selection
	OSDH-Position	0-100	OSD horizontal position adjustment
	OSDV-Position	0-100	OSD Vertical position adjustment
	OSD Transparency	0-100	OSD transparency adjustment
	OSD Time Out	5-60	OSD display time settings
	OSD Rotation	Normal/90/180/270	OSD rotation settings
OTHER	FreeSync(Adaptive Sync)	On/Off	FreeSync(Adaptive Sync) settings
	HDR	Off/Auto/ON	HDR settings
	FW Update		Update firmware
	Reset		Reset settings to factory defaults

\* Please note that the design, specifications, and appearance of the product may be subject to change without prior notice for product improvement purposes.

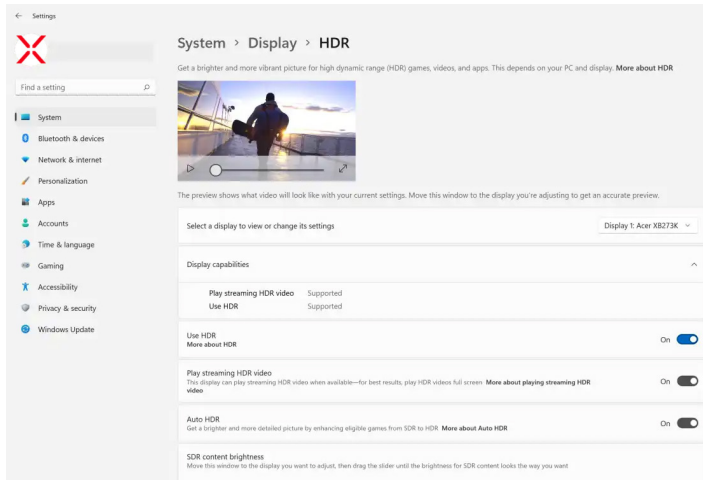
\* In case the information provided differs from the actual product, the actual product shall take precedence.

# ABOUT HDR

HDR stands for High Dynamic Range, which is a display technology that can express a wider range of brightness than the conventional SDR (Standard Dynamic Range).

**When the HDR MODE in the screen (OSD) menu is set to AUTO**, if there is compatibility between the player and the content, the monitor will automatically enable the HDR function.

Depending on the settings of Windows 10, HDR may not be displayed properly. Please check the settings for HDR in Windows 10.



How to open the settings screen: [Settings] > [System] > [Display] > [HDR]

## HDR function is only available for HDR content

If you turn on the HDR setting in Windows 10, the desktop display may appear darker than when in Standard Dynamic Range (SDR) mode.

This is because the monitor's interpretation of HDR and SDR signals differs, and is not a malfunction.

**Please turn off the HDR function for normal PC use.**

Depending on the specifications of the graphics card, photos and text may not be displayed correctly when the HDR function of the monitor is on.

Note: To enable the HDR function, the connected device and content must be HDR compatible.

Note: Even in Windows 10 Fall Creators Update (version 1709), the Windows HDR settings will not be displayed if the graphics card does not support HDR.

## FAQ

Symptoms	Checkpoint
<b>Power LED does not turn ON</b>	<ul style="list-style-type: none"> <li>• Have you pressed the power button on the monitor and confirmed that it is turned on?</li> <li>• Confirm that the power cord is correctly connected to both the monitor and the power outlet.</li> </ul>
<b>Power LED is on, but there is no image</b>	<ul style="list-style-type: none"> <li>• Has the blank screen saver been activated? Move the mouse or keyboard to check.</li> <li>• Check that the brightness and contrast are not set to minimum.</li> <li>• Confirm that the signal cable is correctly connected to both the monitor and the computer.</li> <li>• Check that the pins on the signal cable are not bent and that the cable is not damaged.</li> <li>• Is the computer powered on? If you have another monitor, try connecting it to the computer to confirm that it is working correctly.</li> <li>• Does the computer's signal timing match the specifications of the monitor?</li> </ul>
<b>The image is distorted or there are wave patterns in the video</b>	<ul style="list-style-type: none"> <li>• Confirm that the signal cable is correctly connected to both the monitor and the computer.</li> <li>• Move any electrical equipment that may be causing electrical interference away from the monitor.</li> <li>• Is the voltage normal? Do not use a octopus wiring setup.</li> <li>• Does the computer's signal timing match the specifications of the monitor?</li> </ul>
<b>The position of the image is shifted to one side The size of the image is incorrect</b>	<ul style="list-style-type: none"> <li>• Is the computer's resolution correct?</li> <li>• Does the computer's signal timing match the specifications of the monitor?</li> </ul>
<b>The screen is too bright / too dark</b>	<ul style="list-style-type: none"> <li>• Adjust the brightness and contrast settings from the screen (OSD) menu.</li> </ul>
<b>The image is blurry or unclear</b>	<ul style="list-style-type: none"> <li>• Set the display resolution on the PC to the same native resolution as the recommended screen mode of the monitor.</li> <li>• Does the computer's signal timing match the specifications of the monitor?</li> <li>• Check that the pins on the signal cable are not bent and that the cable is not damaged.</li> </ul>
<b>The video color is off</b>	<ul style="list-style-type: none"> <li>• Check that the pins on the signal cable are not bent and that the cable is not damaged.</li> <li>• Adjust the red/blue/green color settings from the screen (OSD) menu.</li> <li>• Reset the settings from the screen (OSD) menu.</li> <li>• Does the computer's signal timing match the specifications of the monitor?</li> </ul>
<b>Cannot display UHD</b>	<ul style="list-style-type: none"> <li>• This product supports a maximum resolution of 3840x2160 (UHD), including HDMI, DP. However, some graphics cards may not support 3840x2160. Please check with your nearest dealer or manufacturer regarding the hardware limitations of your computer.</li> </ul>
<b>Abnormal noise</b>	<ul style="list-style-type: none"> <li>• Is the cable correctly connected?</li> </ul>

\* Please note that the design, specifications, and appearance of the product may be changed without notice for product improvement.

\* If there is a discrepancy between the information provided and the actual product, the actual product will take precedence.

# TECHNICAL SPECIFICATION

LCD PANEL	Panel type	IPS
	Size	28"
	Backlight	E-LED
	Brightness (Typical)	300cd/m2
	Contrast	1000:1
	Refresh Rate	60Hz
	Dynamic Contrast Ratio (DCR)	YES
	Pixel Pitch (mm)	0.161mm
	Resolution (H×V)	3840x2160
	Aspect Ratio	16:9
	Response Time	5ms (OD)
	View Angles (CR>10)	H:178° V:178°
	Panel Surface	Matte
	Display Colors	1.07 billion colors / 100% sRGB
Functions	Freesync	YES
	Flicker Free	YES
	Blue light reduction mode	YES
	HDCP	YES 2.2
	HDR	YES
	PIP/PBP	YES
Interface and Max Resolution /Refresh Rate	DP	1.2 3840x2160@60Hz
	HDMI 1	2.0 3840x2160@60Hz
	HDMI 2	2.0 3840x2160@60Hz
	USB	For firmware update
Audio	Earphones	YES
	Speakers (Typical)	2Wx2
Power	Power Consumption (W)	Max ≤ 34 / Standard ≤ 25 / Energy Saving ≤20W /Standby ≤ 0,5
Operating /Condition	Temperature (°C)	0~50
	Humidity (%)	10 ~ 90
Physical	Dimensions without Stand included	639x370x47 (width x height x depth mm)
	Dimensions with Stand included	639x459x190 (width x height x depth mm)
	Packaging Dimension	685x510x135 (width x height x depth mm)
	Weight Net (kg)	4.8
	Weight Gross (kg)	6.3
	Tilt Function	-5°+15°
	Kensington	YES
	AC Power Range	100-240V 12V/4A
	Power Light	On: blue, Standby: red
VESA Mount (mm)	100x100mm (M4x7mm)	
Accessories		-
Compability	Windows / mac OS	-

\* Please note that the design, specifications, and appearance of the product may be changed without notice for product improvement.

\* If there is a discrepancy between the information provided and the actual product, the actual product will take precedence.

## **JAPANNEXT CUSTOMER SUPPORT**

mail: [europa-cs@japannext.eu](mailto:europa-cs@japannext.eu)

JAPANNEXT EUROPE SAS  
122 Avenue Charles de Gaulle  
92200 Neuilly-sur-Seine

# FRANÇAIS

# INSTRUCTIONS DE SÉCURITÉ

Veillez vous assurer de lire attentivement toutes les instructions et les manuels inclus avant utilisation.

## Attention

- Placez le moniteur sur une surface stable et plate et évitez de l'exposer à des températures élevées ou basses, à l'humidité ou à la poussière pour éviter les risques d'incendie ou de choc électrique.
- Ne pas utiliser le moniteur dans un endroit où de l'eau ou de l'humidité est présente, car cela pourrait entraîner des blessures graves ou causer un incendie.
- Ne pas tenter d'ouvrir le boîtier du moniteur, car il y a des pièces à haute tension à l'intérieur qui pourraient être dangereuses ou causer un incendie.
- Si l'unité d'alimentation électrique est endommagée, contactez notre centre de service ou le détaillant au lieu de tenter de l'inspecter ou de la réparer vous-même.
- Avant utilisation, assurez-vous que tous les câbles sont correctement connectés et que le cordon d'alimentation n'est pas endommagé. Si des dommages ou des problèmes sont constatés, contactez immédiatement le détaillant.
- Les fentes et les ouvertures étroites sur le dessus ou à l'arrière du boîtier sont nécessaires pour la ventilation. Ne bloquez pas ces trous. Assurez-vous également de ne pas placer le moniteur près d'une source de chaleur, telle qu'un radiateur, sans une ventilation adéquate.
- Ne pas insérer d'objets étrangers ou verser de liquides dans les ouvertures du boîtier du moniteur, car cela peut causer des dommages ou des dysfonctionnements.
- Utilisez uniquement le type d'alimentation indiqué sur l'étiquette du produit lors de l'utilisation du moniteur. Si vous n'êtes pas sûr du type d'alimentation électrique dans votre région, contactez votre compagnie d'électricité locale.
- Ne surchargez pas les multiprises ou les rallonges avec un courant excessif. La surcharge peut entraîner un choc électrique et est extrêmement dangereuse.
- Pour protéger le moniteur contre les dommages causés par les surtensions électriques, débranchez le cordon d'alimentation de l'appareil pendant les périodes prolongées de non-utilisation ou pendant les orages.
- Pour une performance optimale, utilisez ce produit avec un ordinateur qui possède une prise correctement configurée et qui se situe dans la plage AC100-240V.
- Si vous rencontrez des problèmes techniques ou avez des questions sur le moniteur, veuillez contacter un technicien de service autorisé ou un détaillant.
- Pour un fonctionnement sûr, connectez toujours le fil de mise à la terre avant de brancher le cordon d'alimentation dans la prise. Et lorsque vous retirez le fil de mise à la terre, assurez-vous de débrancher d'abord le cordon d'alimentation.
- Ce produit n'est pas conçu pour une utilisation continue de 24 heures. Ne pas utiliser le produit en continu pendant 24 heures. Lorsqu'il n'est pas utilisé pendant une longue période, débranchez la fiche d'alimentation.
- Utilisez exclusivement le cordon d'alimentation fourni avec ce produit.

## Note

- Lors du nettoyage du moniteur, n'utilisez pas de nettoyants ou de détergents contenant de l'alcool ou de l'acétone. Assurez-vous d'utiliser un nettoyant spécifique pour les écrans LCD. Ne vaporisez pas directement de nettoyants liquides sur l'écran. Soyez prudent car il y a un risque de choc électrique ou d'incendie si le liquide de nettoyage s'écoule à l'intérieur du moniteur. Ne frottez pas le panneau LCD avec des objets durs car il est facilement endommageable.
- Lorsque vous soulevez ou déplacez le moniteur, assurez-vous de couper l'interrupteur d'alimentation et de débrancher tous les câbles et cordons d'alimentation au préalable. Lors de l'installation du moniteur, soulevez-le correctement. Lorsque vous soulevez ou transportez le moniteur, tenez le bord de l'unité principale. Ne soulevez jamais le moniteur avec le pied ou câble.



### **Veillez prendre soin de vos yeux lors de l'utilisation.**

- L'utilisation dans une pièce sombre ou pendant de longues périodes peut fatiguer vos yeux.
- Prenez une pause de 5 à 10 minutes toutes les heures et utilisez-le dans une pièce modérément éclairée.

## **NETTOYAGE ET PRÉCAUTIONS**

- Avant de nettoyer ce produit, éteignez l'interrupteur d'alimentation et débranchez tous les câbles et cordons d'alimentation..

### **Maintenance**

- Panneau LCD : essayez délicatement avec un chiffon doux et propre spécialement conçu pour les panneaux LCD. N'utilisez pas de papier de soie. Pour la saleté tenace, utilisez un chiffon doux légèrement humidifié avec un nettoyant neutre spécialement conçu pour les panneaux LCD.
- Cabinet ? Boîtier ? : essayez avec un chiffon doux humidifié avec un nettoyant neutre.

### **Les symptômes suivants sont normaux pour le moniteur :**

- Au cours de l'utilisation initiale, il peut y avoir des scintillements à l'écran en raison de la nature du rétroéclairage. Si cela se produit, éteignez l'alimentation et rallumez-la pour confirmer.
- En fonction du motif de bureau ou de la couleur et de la luminosité affichées, il peut y avoir une luminosité inégale.
- Il peut y avoir quelques pixels constamment allumés ou éteints.
- Si la même image est affichée pendant une longue période, il peut y avoir des images résiduelles même après avoir basculé vers une autre image. L'écran récupérera lentement ou la mise hors tension pendant quelques heures peut également résoudre le problème.
- En fonction de votre ordinateur, l'image peut apparaître décalée. Ajustez la position de l'écran à partir du menu OSD (affichage à l'écran) (pour le port VGA uniquement).
- Si l'écran clignote, devient complètement noir ou cesse de fonctionner, ne tentez pas de le réparer vous-même. Contactez le centre de service ou le détaillant pour demander des réparations.

## **BIENVENUE !**

Merci d'avoir acheté le moniteur LCD 28 pouces de JAPANNEXT. Le panneau prend en charge la résolution UHD (3840X2160).

Nous vous recommandons d'utiliser la résolution UHD pour utiliser pleinement ses capacités. Ses performances complètes ne peuvent pas être atteintes avec des résolutions inférieures à UHD.

# GUIDE DE DÉMARRAGE RAPIDE

## Installation

### Note:

- \* Veuillez noter que le panneau doit être manipulé avec précaution. Faites attention de ne pas appuyer sur la surface LCD avec vos doigts ou tout autre objet par-dessus, car il y a un risque d'endommager le panneau.
- \* Lors de l'installation, veuillez vous assurer de manipuler les vis avec précaution pour éviter de les faire tomber.

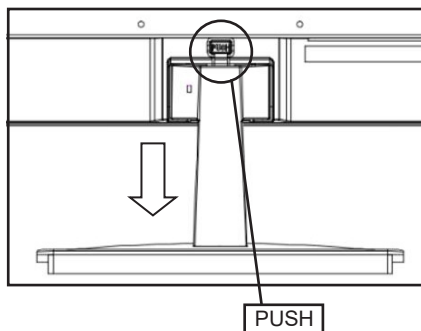
1. Placez le support de stand sur une surface plane et stable.
2. Soulevez lentement le moniteur et insérez le support dans le support de stand jusqu'à ce que vous entendiez un clic.
3. Vérifiez que le moniteur et le support sont bien fixés.



- \* Si vous ouvrez le support arrière de force, il peut être endommagé.
- \* Il prend en charge l'ajustement de l'inclinaison. Veuillez faire attention à ne pas faire tomber le corps lorsque vous inclinez l'écran vers vous.

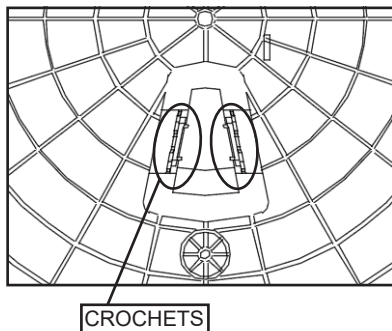
### Comment retirer le support

Appuyez sur [PUSH] tout en retirant le support.



### Comment retirer le socle

Tirez sur le socle en saisissant les crochets.



- \* Veuillez faire très attention lorsque vous retirez le socle car il peut être difficile à retirer et vous pouvez vous blesser.

# GUIDE DE DÉMARRAGE RAPIDE (SUITE)

## Connexion à un ordinateur

1. Assurez-vous que l'alimentation du moniteur et de l'ordinateur est éteinte avant de connecter le câble.
2. Attachez le câble (HDMI, DP) compatible avec le moniteur au moniteur. Attachez le même câble à l'ordinateur.
3. Allumez l'alimentation du moniteur et de l'ordinateur.

**Attention :** Pour travailler en toute sécurité, connectez toujours le fil de terre avant de brancher la fiche de courant. (uniquement s'il y a une liaison de terre). De plus, lors de la déconnexion de la connexion à la terre, débranchez toujours la fiche de courant de la prise d'abord.

**Note:** Les câbles HDMI, DP ne doivent pas être connectés simultanément, car cela peut causer des dysfonctionnements. Veuillez connecter un seul câble à un seul ordinateur.

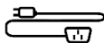
## CONTENU DE L'EMBALLAGE



Manuel



Garantie



Câble  
d'alimentation



Adaptateur  
d'alimentation



Câble  
HDMI

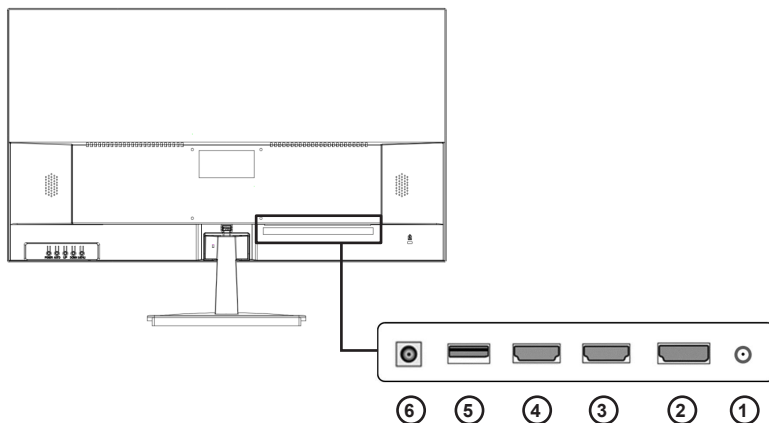


Vis de montage  
VESA x4 (M4x8mm)

\* Le câble d'alimentation fourni est spécifique à ce produit.  
Ne l'utilisez pas pour d'autres équipements.

## CONNECTEURS

### Arrière du moniteur



**1/ Port de sortie audio** - Veuillez connecter des écouteurs ou des haut-parleurs pour utiliser.

**2/ Port DP** - Compatible avec DP 1.2.

**3/ Port HDMI1** - Compatible avec HDMI 2.0.

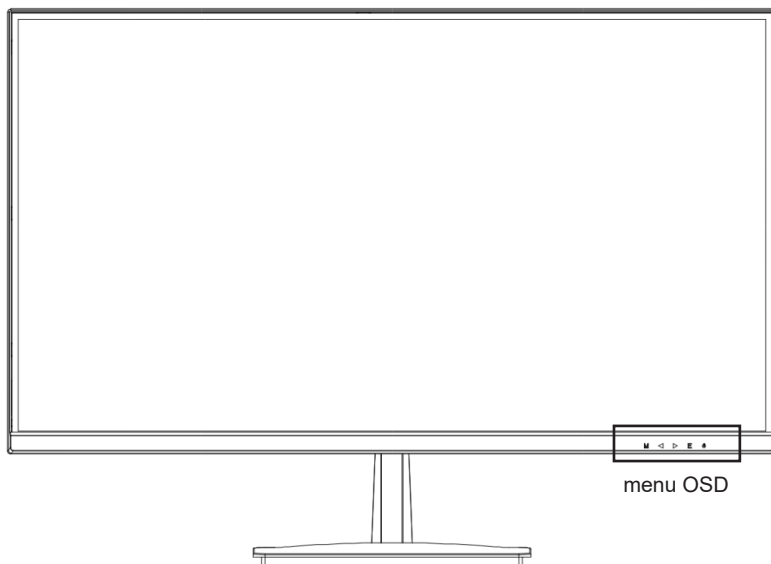
**4/ Port HDMI2** - Compatible avec HDMI 2.0.

**5/ Port USB** - Pour les mises à jour de firmware.

**6/ Prise d'alimentation** - Veuillez connecter l'adaptateur d'alimentation pour utiliser.

# EXPLICATION DES BOUTONS D’AFFICHAGE

## Panneau avant du moniteur



## Lorsque le menu de l’écran (OSD) n’est pas ouvert

M	Afficher le menu OSD.
◀	Réticule (viseur) Disparaît lorsque l'un des boutons M, ▶, E est pressé.
▶	Afficher les paramètres de volume.
E	Afficher la source d'entrée.
⏻	Allumer/éteindre l'alimentation.

## Opérations en cours d’affichage du menu de l’écran (OSD)

M	Sélectionner et décider des éléments du menu.
◀	Déplacer le menu vers le bas ou réduire la valeur de l'élément sélectionné.
▶	Déplacer le menu vers le haut ou augmenter la valeur de l'élément sélectionné.
E	Retourner ou fermer le menu.
⏻	Allumer/éteindre l'alimentation.

# MENU OSD

MENU	FUNCTION	ADJUSTABLE VALUE	COMMENT
ENTRÉE	Automatique		Sélection de la source
	DP		
	HDMI1		
	HDMI2		
LUMINOSITÉ/ CONTRASTE	Luminosité	0-100	Ajustement de la luminosité
	Contraste	0-100	Ajustement du contraste
	DCR	On/Off	Paramètres DCR
	ECO	On/Off	Paramètre de consommation énergétique
	Gamma	1.8/2.0/2.2/2.4/2.6	Ajustement du gamma
COULEUR	Mode d'image	Standard	Sélection du mode de l'image
		Photo	
		Cinéma	
		Jeu Vidéo	
		FPS	
		RTS	
	Température de l'image	Normale	Ajustement de la température de l'image
		Chaude	
		Froide	
		Utilisateur	
Teinte	0-100	Ajustement de la teinte	
Saturation	0-100	Ajustement de la saturation	
Filtre lumière bleue	0-100	Ajuster le niveau du filtre de la lumière bleue	
IMAGE	Netteté	0-100	Ajustement de la netteté
	Temps de réponse	Off/High/Middle/Low	Ajustement du temps de réponse
	Réduction du bruit	Off/High/Middle/Low	Ajustement du niveau de réduction du bruit
	Dynamic Luminous Control	On/Off	Paramètres du Dynamic Luminous Control
	Ratio d'affichage	Ecran large/4:3/1:1/Auto	Ajustement du ratio de l'image
AUDIO	Muet	On/Off	Activer ou désactiver le son
	Volume	0-100	Ajuster le volume
	Source audio	DP/HDMI1/HDMI2	Sélectionner la source audio
MULTI-FENÊTRE	Multi-fenêtre(PIP/PBP)	Off/PIP Mode/PBP 2Win	Paramètre du mode multi-fenêtres
	Source fenêtre2	DP/HDMI1/HDMI2	Sélection de la source de la fenêtre 2
	Taille PIP	Petite/Moyenne/Large	Ajustement de la taille de la fenêtre intérieure
	Position PIP	Haut-gauche/Bas-gauche/Haut-droit/ Bas-droit	Ajustement de la position de la fenêtre intérieure
	Inverser la position		Inverser la fenêtre principale et la fenêtre intérieure
OSD	Langue	English/日本語/Français	Sélectionner la langue de l'OSD
	Position-H OSD	0-100	Ajustement de la position horizontale de l'OSD
	Position-V OSD	0-100	Ajustement de la position Verticale de l'OSD
	Transparence du menu OSD	0-100	Ajustement du niveau de transparence de l'OSD
	Durée d'affichage OSD	5-60	Ajustement de la durée d'affichage de l'OSD
	Rotation OSD	Normal/90/180/270	Rotation de l'OSD
AUTRES	FreeSync(Adaptive Sync)	On/Off	Paramètre du FreeSync(Adaptive Sync)
	HDR	Off/Auto/ON	Paramètres du HDR
	Mise à jour		Mise à jour du logiciel d'exploitation
	Reinitialisation		Réinitialisation des paramètres en mode usine

\* Veuillez noter que le design, les spécifications et l'apparence du produit peuvent être modifiés sans préavis en raison d'améliorations de produit.

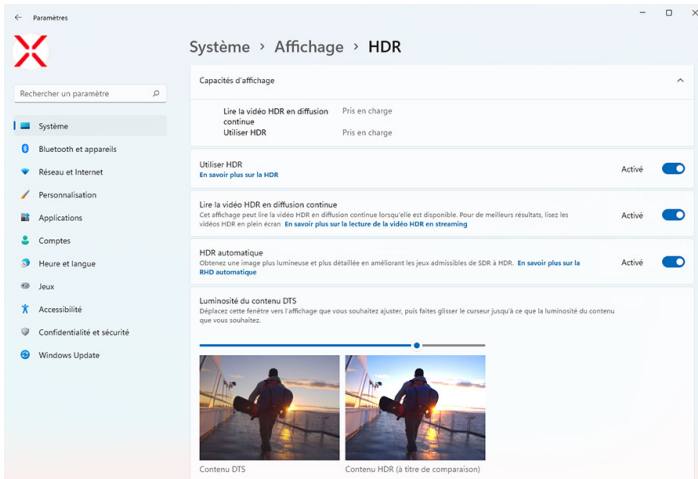
\* En cas de différence entre les informations décrites et le produit réel, la priorité sera accordée au produit réel.

# À PROPOS DU HDR

HDR signifie High Dynamic Range (grande plage dynamique en français). C'est une technologie d'affichage qui permet de représenter une plage de luminosité plus large que la plage dynamique standard traditionnelle (SDR, Standard Dynamic Range).

**Si vous réglez le mode HDR de l'écran (OSD) sur AUTO**, et que le lecteur et le contenu sont compatibles, le moniteur activera automatiquement la fonction HDR.

Les paramètres de Windows 10 peuvent empêcher l'affichage correct de la fonctionnalité HDR. Veuillez vérifier les paramètres de Windows 10 concernant HDR pour les activer ou les désactiver.



Comment accéder aux paramètres : [Paramètres] > [Système] > [Affichage] > [HDR]

## La fonctionnalité HDR n'est active que pour les contenus HDR

Lorsque vous activez les paramètres HDR de Windows 10, l'affichage du bureau peut devenir plus sombre que lorsque vous le configurez en mode plage dynamique standard (SDR). Cela est dû à l'interprétation différente du signal HDR et du signal SDR par le moniteur, et non à une défaillance.

**Veuillez désactiver la fonctionnalité HDR pour une utilisation normale de votre PC.**

Selon les spécifications de votre carte graphique, il se peut que les photos ou les textes ne soient pas correctement affichés lorsque la fonctionnalité HDR du moniteur est activée.

Remarque : pour activer la fonctionnalité HDR, les périphériques de connexion ou les contenus doivent être compatibles avec HDR.

Remarque : si votre carte graphique n'est pas compatible avec HDR, les paramètres Windows relatifs à HDR ne s'afficheront pas, même avec Windows 10 Fall Creators Update

## FAQ

Symptômes	Checkpoint
<b>Le voyant d'alimentation ne s'allume pas</b>	<ul style="list-style-type: none"> <li>• Avez-vous appuyé sur le bouton d'alimentation du moniteur et vérifié qu'il est allumé ?</li> <li>• Vérifiez que le cordon d'alimentation est correctement connecté à la fois au moniteur et à la prise électrique.</li> </ul>
<b>Le voyant d'alimentation est allumé, mais il n'y a pas d'image</b>	<ul style="list-style-type: none"> <li>• Le mode veille a-t-il été activé ? Bougez la souris ou le clavier pour vérifier.</li> <li>• Veuillez vérifier que la luminosité et le contraste ne sont pas réglés au minimum.</li> <li>• Veuillez vérifier que le câble de signal est correctement connecté au moniteur et à l'ordinateur.</li> <li>• Veuillez vérifier que les broches du câble de signal ne sont pas tordues et que le câble n'est pas endommagé.</li> <li>• L'ordinateur est-il allumé ? Si vous avez un autre moniteur, essayez de le connecter pour vérifier si l'ordinateur fonctionne correctement.</li> <li>• Le signal de synchronisation de l'ordinateur est-il compatible avec les spécifications du moniteur ?</li> </ul>
<b>L'image est déformée ou il y a des ondulations dans la vidéo</b>	<ul style="list-style-type: none"> <li>• Veuillez vérifier que le câble de signal est correctement connecté au moniteur et à l'ordinateur.</li> <li>• Éloignez tout appareil électrique qui pourrait causer des interférences électriques avec le moniteur.</li> <li>• Le courant électrique est-il normal ? → Veuillez arrêter les branchements en multiprise</li> <li>• Le signal de synchronisation de l'ordinateur est-il compatible avec les spécifications du moniteur ?</li> </ul>
<b>La position de l'image est décalée d'un côté / La taille de l'image est incorrecte</b>	<ul style="list-style-type: none"> <li>• La résolution de l'ordinateur est-elle correcte ?</li> <li>• Le signal de synchronisation de l'ordinateur est-il compatible avec les spécifications du moniteur ?</li> </ul>
<b>L'écran est trop lumineux / trop sombre</b>	<ul style="list-style-type: none"> <li>• Veuillez régler la luminosité et le contraste à partir du menu de l'écran (OSD).</li> </ul>
<b>La vidéo est floue ou peu claire</b>	<ul style="list-style-type: none"> <li>• Réglez la résolution d'affichage du PC sur le mode de résolution native recommandée pour le moniteur.</li> <li>• Le signal de synchronisation de l'ordinateur est-il compatible avec les spécifications du moniteur ?</li> <li>• Veuillez vérifier que les broches du câble de signal ne sont pas tordues et que le câble n'est pas endommagé.</li> </ul>
<b>La couleur de la vidéo est incorrecte</b>	<ul style="list-style-type: none"> <li>• Veuillez vérifier que les broches du câble de signal ne sont pas tordues et que le câble n'est pas endommagé.</li> <li>• Réglez les paramètres de couleur rouge/bleu/vert à partir du menu de l'écran (OSD) de réglage de la température de couleur.</li> <li>• Réinitialisez les paramètres à partir du menu de l'écran (OSD).</li> <li>• Le signal de synchronisation de l'ordinateur est-il compatible avec les spécifications du moniteur ?</li> </ul>
<b>Impossible d'afficher le format UHD</b>	<ul style="list-style-type: none"> <li>• Ce produit prend en charge une résolution maximale de 3840x2160 (UHD) incluant HDMI, DP. Cependant, certaines cartes graphiques ne prennent pas en charge la résolution de 3840x2160. Pour les limitations matérielles de votre ordinateur, veuillez contacter votre revendeur local ou le fabricant.</li> </ul>
<b>Bruits sur l'image anormaux</b>	<ul style="list-style-type: none"> <li>• Le câble est-il correctement connecté ?</li> </ul>

\* Veuillez noter que le design, les spécifications et l'apparence du produit peuvent être modifiés sans préavis pour amélioration du produit.

\* Si une différence existe entre les informations fournies et le produit réel, le produit réel aura la priorité.



# SPÉCIFICATIONS TECHNIQUES

Ecran	type de dalle	IPS	
	Taille de la dalle	28"	
	Eclairage arrière	E-LED	
	Luminosité (Typique)	300cd/m2	
	Contraste	1000:1	
	Taux de rafraîchissement	60Hz	
	Taux de contraste dynamique (DCR)	Oui	
	Taille des pixel (mm)	0.161mm	
	Resolution (HxV)	3840x2160	
	Format de l'écran	16:9	
	Temps de réponse	5ms (OD)	
	Angle de vision (CR>10)	H:178° V:178°	
	Type de Surface	Mate	
Fonctions	Couleurs de l'écran	1,07 milliard de couleurs / 100% sRGB	
	Freesync	Oui	
	Anti scintillement	Oui	
	Lumière bleue réduite	Oui	
	HDCP	Oui 2.2	
	HDR	Oui	
	PIP/PBP	Oui	
	Interface et Résolution Maximale /Taux de rafraîchissement	DP	1.2 3840x2160@60Hz
		HDMI 1	2.0 3840x2160@60Hz
		HDMI 2	2.0 3840x2160@60Hz
		USB	Pour la mise à jour du micrologiciel.
	Son	Écouteurs	Oui
		Haut-parleurs (typique)	2Wx2
Alimentation	Consommation (W)	Max ≤ 34 / Normal ≤ 25 / Économie d'énergie ≤20W / Veille ≤ 0,5	
Condition de fonctionnement	Température de fonctionnement (°C)	0~50	
	Humidité (%)	10 ~ 90	
Caractéristiques physiques	Dimensions du produit sans pied	639x370x47 (largeur x hauteur x profondeur en mm)	
	Dimensions du produit avec pied	639x459x190 (largeur x hauteur x profondeur en mm)	
	Dimensions de l'emballage	685x510x135 (largeur x hauteur x profondeur en mm)	
	Poids net (kg)	4.8	
	Poids brut (kg)	6.3	
	Plage d'inclinaison	-5°+15°	
	Kensington	Oui	
	Plage de puissance AC	100-240V 12V/4A	
	Témoin d'alimentation	Allumé : bleu / en veille : rouge	
Accessoires	Support VESA (mm)	100x100mm (M4x7mm)	
		-	
Compatibilité	Windows / mac OS	-	

\* Veuillez noter que le design, les spécifications et l'apparence du produit peuvent être modifiés sans préavis pour amélioration du produit.

\* Si une différence existe entre les informations fournies et le produit réel, le produit réel aura la priorité.

## **ASSISTANCE CLIENTÈLE JAPANNEXT**

mail: [europa-cs@japannext.eu](mailto:europa-cs@japannext.eu)

JAPANNEXT EUROPE SAS  
122 Avenue Charles de Gaulle  
92200 Neuilly-sur-Seine